

**ORDER IT!**

Ordering is Easy! See Page D-9.  
Easy online ordering too!

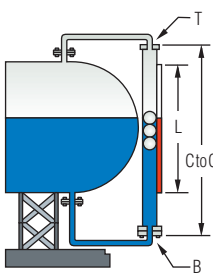
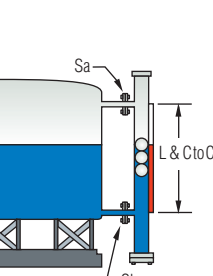
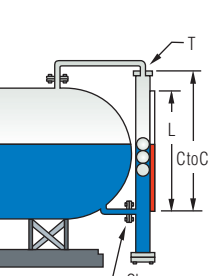
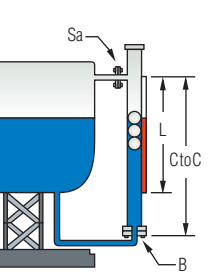
## Standard Alloy Versions – Standard Size

- ▶ Temperatures to 750°F (399°C)
- ▶ Pressures to 700 PSI (48 bar)

Rugged, welded construction makes these 2-1/2" (63.5 mm) diameter design, alloy SureSite Indicators dependable over a long service life indoors and out.

### 1. Mounting Configuration Types

To choose the best configuration for your application, focus on the process connections (connections where the liquid typically enters/leaves the SureSite).

|   | Type AA   | Type BA   | Type CA   | Type DA   |
|---|---|---|---|---|
|   | Top and Bottom Process Connections  | Side and Side Process Connections   | Top and Side Process Connections  | Side and Bottom Process Connections   |
|   |  |  |  |  |
| <b>L</b> = Length of Visual Indication      |   |   |   |   |
| <b>Typical Lengths*</b>                     | C to C = L + 10-1/4" (260.4 mm)   | C to C = L  | C to C = L + 3-3/4" (95.2 mm)   | C to C = L + 6-1/2" (165.1 mm)  |
| <b>Flag Material</b>                        | Plastic (300°F/148.9°C) or Aluminum (750°F/399°C)                                 |   |   |   |
| <b>Length of Indication (Uninterrupted)</b> | 240" (610 cm)   |   |   |   |
| <b>Minimum Specific Gravity</b>             | 0.39  |   |   |   |

\* Dimensions vary due to connections, material and specific gravity.

Note: Additional materials, floats, connections and manufacturing techniques are available to extend lengths and operational capabilities. Please contact GEMS Sensors if the parameters above do not meet your requirements.

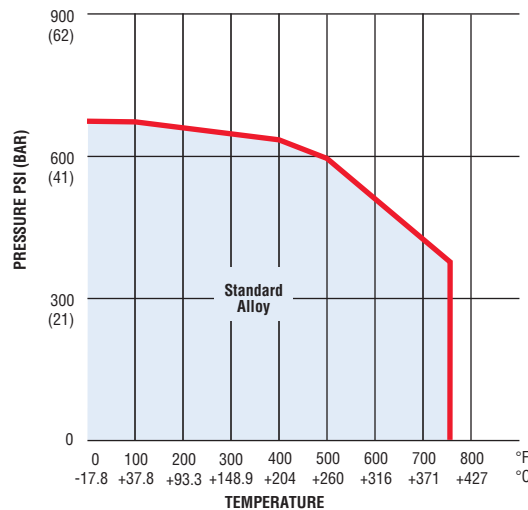
### 2. Material

Housing and Float: 316 Stainless Steel  
Pressure/Temperature performance parameters for alloy SureSite versions are specified in the chart at right. Please consult the factory with temperature/pressure requirements that fall outside the parameters shown here.

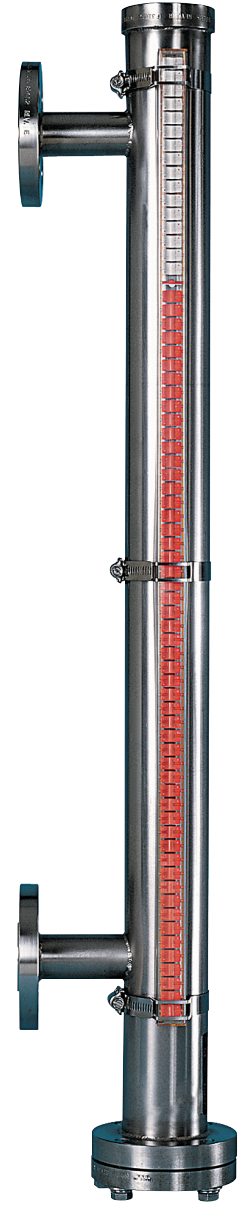
 = Stock Material (Best economy and delivery).

| Materials            |                      | Code |
|----------------------|----------------------|------|
| Housing              | Float                |      |
| 316L Stainless Steel | 316L Stainless Steel | 2    |
| Carpenter 20         | Hastelloy C276       | 3*   |
| Hastelloy C276       | Hastelloy C276       | 4*   |

\* Consult factory for pressure/temperature capabilities.



Note: SureSite Indicators are available for temperatures as low as -200°F (-129°C).



Type BA Shown

### 3. Connection Codes

(See complete descriptions below)

|  | TOP | T | Blind |           | NPT    |      |           |      | Flange |           |
|--|-----|---|-------|-----------|--------|------|-----------|------|--------|-----------|
|  |     |   | Fixed | Removable | Fixed  |      | Removable |      | Fixed  | Removable |
|  |     |   |       |           | Female | Male | Female    | Male |        |           |
|  |     |   | T1    | T2        | T3     | T5   | T6        | T8   | T9     | T10       |

| SIDE | Sa | SIDE | Sb | SIDE | B | Blind |        | NPT   |        |           |      | Flange |           |
|------|----|------|----|------|---|-------|--------|-------|--------|-----------|------|--------|-----------|
|      |    |      |    |      |   | Male  | Female | Fixed |        | Removable |      | Fixed  | Removable |
|      |    |      |    |      |   |       |        | Male  | Female | Female    | Male |        |           |
|      |    |      |    |      |   | S1    | S2     | S3    | S4     |           |      |        |           |

| BOTTOM | B | Blind |           | NPT    |      |           |      | Flange |           |
|--------|---|-------|-----------|--------|------|-----------|------|--------|-----------|
|        |   | Fixed | Removable | Fixed  |      | Removable |      | Fixed  | Removable |
|        |   |       |           | Female | Male | Female    | Male |        |           |
|        |   | B1    | B2        | B3     | B5   | B6        | B8   | B9     | B10       |

— Connection Codes and Materials background-shaded in this color are stocked by Gems. Select these connections where possible to obtain the most economical SureSite Indicators with a prompt 3-day delivery.

#### Connection Code Descriptions

Please provide all connections when completing the Order! Product Check List (located on the following page).

**Note:** Before selecting your connections, consider incorporating your vent and drain requirements.

#### T & B (Top and Bottom)

- T/B 1. Welded pipe cap
- T/B 2. Standard fixed flange/blind mating flange
- T/B 3. Welded pipe cap w/FNPT
- T/B 5. Welded pipe cap w/MNPT nipple
- T/B 6. Standard fixed flange/mating FNPT reducing flange
- T/B 8. Standard fixed flange/mating flange with MNPT nipple
- T/B 9. Welded pipe cap with ANSI flange
- T/B 10. Standard fixed flange/mating reducing flange spool

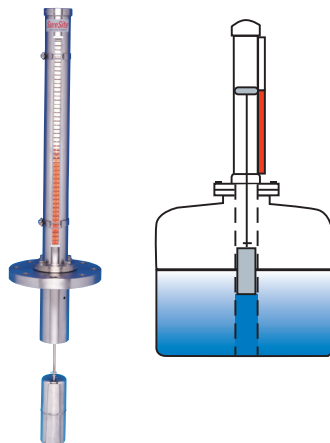
#### Sa & Sb Sides

- S1. No connection
- S2. MNPT nipple
- S3. FNPT coupling
- S4. ANSI flange



### Top Mount Units

When it's not practical to access the side of a tank for liquid monitoring, look to SureSite Top Mount Indicators for the solution. Please consult with the factory for these specially configured indicators **1-800-378-1600**.




Need it quick? Choose materials and components with the color shading for 3-Day manufacturing and shipping. See the Product Configurator section at [www.gemssensors.com](http://www.gemssensors.com) for further details.

### Accessories – Pages D-16 to D-18

Make more of your SureSite® Indicator with the productivity-enhancing accessories found at the end of this section.

- **Indicating Scales**  
Add graduations to your flag indication.
- **Switch Modules**  
Control pumps, valves, alarms, etc. Mount externally on housing for infinite positioning.
- **Continuous Output Transmitters**  
Signal conditioned for compatibility with most electronic instruments to 300°F (149°C).

|   |  |
|---|--|
|  <p><b>Photocopy This Form</b><br/>Use one form for each product type you are selecting.<br/><small>This form may also be completed online at gemssensors.com for RFQ.</small></p> | This is a <input type="checkbox"/> Request for a Quote<br><input type="checkbox"/> Order P.O.# _____<br>Name _____<br>Company _____<br>Quantity Needed _____<br>Street _____<br>Date Required ____/____/____<br>City _____ State ____ Zip _____<br>Shipping Method: _____<br>Phone (____) _____<br>Partial Accepted: <input type="checkbox"/> Yes<br><input type="checkbox"/> No<br>Fax (____) _____ |
|---|--|

## SureSite Indicators, Alloy Versions – Standard Size

### Process Conditions

This information is essential to the accurate and proper operation of your SureSite® Visual Level Indicators. Please complete fully and accurately.

- |   |  |
|---|--|
| <p><b>1. Pressure:</b> Operating _____ psig Maximum _____ psig</p> <p><b>2. Temperature:</b> Operating _____ °F Maximum _____ °F</p> <p><b>3. Liquid Media:</b> _____</p> | <p><b>4. Specific Gravity @ Operating Condition:</b> _____</p> <p><b>5. Viscosity:</b> _____ SSU</p> <p><b>6. Application Location:</b> <input type="checkbox"/> Indoors <input type="checkbox"/> Outdoors</p> |
|---|--|

### Physical Configuration

#### 1. Mounting Configuration Types:

- Type AA     Type BA     Type CA     Type DA

#### 2. Housing and Float Material

- Code 2     Code 3     Code 4

#### 3. Connection Codes – Complete all 4 connection code lines. Check off NPT or Flange size where appropriate.

▼ Connection Code Number Goes Here. **Connection Code Numbers and their descriptions are on Page D-8.**

| Top <b>T</b>    | NPT   | Flange   |
|-----------------|---|--|
|                 | <input type="checkbox"/> 1/2" <input type="checkbox"/> 1" <input type="checkbox"/> 2"<br><input type="checkbox"/> Other _____ | <input type="checkbox"/> 1/2" <input type="checkbox"/> 1" <input type="checkbox"/> 2"<br><input type="checkbox"/> 150# (RF) <input type="checkbox"/> 600# (RF)<br><input type="checkbox"/> Other _____ |
| Side <b>Sa</b>  | NPT   | Flange   |
|                 | <input type="checkbox"/> 1/2" <input type="checkbox"/> 1" <input type="checkbox"/> 2"<br><input type="checkbox"/> Other _____ | <input type="checkbox"/> 1/2" <input type="checkbox"/> 1" <input type="checkbox"/> 2"<br><input type="checkbox"/> 150# (RF) <input type="checkbox"/> 600# (RF)<br><input type="checkbox"/> Other _____ |
| Side <b>Sb</b>  | NPT   | Flange   |
|                 | <input type="checkbox"/> 1/2" <input type="checkbox"/> 1" <input type="checkbox"/> 2"<br><input type="checkbox"/> Other _____ | <input type="checkbox"/> 1/2" <input type="checkbox"/> 1" <input type="checkbox"/> 2"<br><input type="checkbox"/> 150# (RF) <input type="checkbox"/> 600# (RF)<br><input type="checkbox"/> Other _____ |
| Bottom <b>B</b> | NPT   | Flange   |
|                 | <input type="checkbox"/> 1/2" <input type="checkbox"/> 1" <input type="checkbox"/> 2"<br><input type="checkbox"/> Other _____ | <input type="checkbox"/> 1/2" <input type="checkbox"/> 1" <input type="checkbox"/> 2"<br><input type="checkbox"/> 150# (RF) <input type="checkbox"/> 600# (RF)<br><input type="checkbox"/> Other _____ |

- 4. Length of Visual Indication – L:** \_\_\_\_\_ inches (240", Max.).  
 Connection to Connection Dimension – C to C: \_\_\_\_\_ inches.

#### 5. Flag Type

- Plastic flags available to 300°F (149°C).  
 Aluminum flags only for temperatures to 750°F (399°C).  
 Plastic (Orange and White)     Aluminum (Black and Silver)  
 Non-Standard; Specify: \_\_\_\_\_ consult factory.

#### Special Instructions (Materials, Connections, etc.)

---



---



---

### Accessories (Pages D-16 to D-18)

- 1. Transmitters (Continuous Electrical Indication):**  
 Low Temperature – 300°F (149°C)     Explosion-Proof  
 High Temperature – 750°F (399°C)
- 2. J-Box/Signal Conditioners Accessories:**  
 Terminal Strip     4-20 mA Output  
 0-12 VDC Output     0-5 VDC Output
- 3. Power Supply:**     115 VAC (Input) /24 VDC (Output) (Optional)  
 230 VAC (Input) /24 VDC (Output)

- 4. Switch Modules (Single Point):** \_\_\_\_\_ Quantity (only if required)  
 a.  SPST    SPDT    DPDT 120 VAC    DPDT 24 VDC  
 b.  Standard – 300°F (149°C)     Explosion Proof  
 High Temperature – 750°F (399°C)

#### 5. Indicating Scales:

- Feet and Inches     Inches     Metric     Blank  
 Custom Graduations; specify: \_\_\_\_\_

Please contact GEMS Sensors Inc. for any configuration or special requirements not covered on this form. **800-378-1600**

Quote: \$ \_\_\_\_\_ Date Quoted: \_\_\_\_/\_\_\_\_/\_\_\_\_



**Gems Sensors & Controls**  
 One Cowles Road  
 Plainville, CT  
 06062-1198

tel 860.747.3000  
 fax 860.747.4244  
 www.gemssensors.com