

ULS-200

Solid-State Point-Level Sensor

Data Sheet No. 263795 Rev. E



Contents

1. About This Document	3	5. Electrical Connection	6
1.1 Function	3	5.1 Safely Connect	6
1.2 Document Online Location	3	5.2 Water Ingress Protection	6
1.3 Symbols Used	3	5.3 Voltage Supply	6
2. Safety	3	5.4 Wiring	6
2.1 Personal Protective Equipment (PPE)	3	6. Maintenance	7
2.2 Appropriate Use	3	6.1 Basic Maintenance	7
2.3 Incorrect Use	3	6.2 Basic Troubleshooting	7
3. Product Description	3	6.3 Returns	7
3.1 Specifications	4	7. Mechanical Construction	7
3.2 Part Number Nomenclature	4	8. Certificates & Approvals	8
3.3 Sensor Labels	5	8.1 Certificates, Approvals & Ratings	8
3.4 Operating Principle	5	9. Contact Information	8
3.5 Sensor Technology	5		
3.6 Time Delays	5		
4. Installation	6		
4.1 Torque Specifications	6		
4.2 Orientation	6		

1. About This Document

1.1 Function

This instruction provides the information required for mounting, connection, setup, maintenance, and resolving faults. Please read this information before installing the sensor and putting the instrument into operation and keep this manual accessible. All performance characteristics within this document are at a set of standard conditions, and user experience may differ depending on varying application conditions.

1.2 Document Online Location

<https://www.gemssensors.com/uls-200-datasheet>



1.3 Symbols Used



INFORMATION, NOTE, TIP:

This symbol indicates helpful additional information and tips for successful work.



NOTE:

This symbol indicates notes to prevent failures, malfunctions, damage to devices or plants.



CAUTION:

Non-observance of the information marked with this symbol may result in personal injury.



WARNING:

Non-observance of the information marked with this symbol may result in serious or fatal personal injury.



DANGER:

Non-observance of the information marked with this symbol results in serious or fatal personal injury.



EX APPLICATIONS:

This symbol indicates special instructions for Ex applications.



BATTERY DISPOSAL:

This symbol indicates special information about the disposal of batteries and accumulators.

2. Safety

2.1 Personal Protective Equipment (PPE)

Personal protective equipment should always be worn when working with the sensor.

2.2 Appropriate Use

Note the following:

WARNING: GEMS PRODUCTS MAY ONLY BE USED FOR THE APPLICATIONS DESCRIBED IN THIS DOCUMENT. IF PRODUCTS AND COMPONENTS FROM OTHER MANUFACTURERS ARE USED, THESE MUST BE RECOMMENDED OR APPROVED BY GEMS. PROPER TRANSPORT, STORAGE, INSTALLATION, ASSEMBLY, COMMISSIONING, OPERATION AND MAINTENANCE ARE REQUIRED TO ENSURE THAT THE PRODUCTS OPERATE SAFELY AND WITHOUT ANY PROBLEMS. THE PERMISSIBLE AMBIENT CONDITIONS MUST BE COMPLIED WITH. THE INFORMATION IN THE RELEVANT DOCUMENTATION MUST BE OBSERVED.

2.3 Incorrect Use

Incorrect or inappropriate use of this sensor can increase the likelihood of application hazards not limited to vessel overfill, damage to property, environmental contamination, and damage to the sensor itself.

3. Product Description

The Gems' ULS-200 Solid-State Point-Level Sensor works with a wide variety of media. It eliminates failure caused by moving parts and works well in high-viscous, high-pressure, humid, and reflective applications. It does not rely on specific gravity or conductivity.

- Compact design
- Accurate and repeatable electronic point level switching
- Durable all 316L stainless steel or brass housing with IP6k9k rating
- Wide media range

Applications

- Construction
- Water & Wastewater
- Emergency Vehicles
- Power Generation
- Renewable Energy
- Buses & Recreational
- HVAC
- Semiconductor
- Agriculture
- Oil & Water TCUs
- Medical & Laboratory
- General Industrial

3.1 Specifications

MEDIA		Aqueous, Oil & Hydrocarbon-Based Liquids, Dielectric > 2.2
MOUNTING		1/4"-18 NPT, 1/2"-14 NPT, G1/4"-19 B, M12x1.5-6g
WETTED MATERIALS	HOUSING	Brass, 316L Stainless Steel
	O-RING	Buna-N
	PROBE TIP	PVDF (Aqueous) or PBT (Hydrocarbon)
OPERATING PRESSURE		Up to 300 PSIG (20.7 bar)
OPERATING TEMPERATURE		-40° F to +257° F (-40° C to +125° C)
SUPPLY VOLTAGE		9-32 VDC
CURRENT CONSUMPTION		6mA Max. (No Load)
OUTPUT		Solid-State, Sinking or Sourcing Output, 9-32 VDC, 300mA Max.
ELECTRICAL TERMINATION		3-pin Deutsch DT04-3P
TIME DELAY		No Delay, 3 Sec, 5 Sec, 10 Sec
INGRESS PROTECTION		IPX7 & IP6K9K
APPROVALS		CE, RoHS

Reference Operating Conditions: Ambient Temperature: 20°C (68°F) ±5°C; Media Temperature: 20°C (68°F) ±5°C; Process Pressure: 1 Bar (14.5 PSI); Media Type: Water; Humidity: <60% RH Non-condensing

3.2 Part Number Nomenclature

ULS200								X	X	X	X	X	XX	XX	
SERIES	HOUSING MATERIAL	ACTUATION CONDITION	THREAD SIZE	INTEGRAL CONNECTOR	MEDIA BASED SENSING TYPE	TIME DELAY (INCREASING LEVEL)	TIME DELAY (DECREASING LEVEL)								
	S - 316 S.S.	A - Wet Sink [†]	1 - 1/4" NPT [†]	Y - Deutsch DT04-3P [†]	W - Water ^{†*}	00 - No Delay [†]	00 - No Delay [†]								
	B - Brass [†]	B - Dry Sink	2 - 1/2" NPT			H - Hydrocarbon	03 - 3 sec.	03 - 3 sec.							
		C - Wet Source	3 - M12x1.5				05 - 5 sec.	05 - 5 sec.							
		D - Dry Source	4 - G1/4-19				10 - 10 sec.	10 - 10 sec.							

[†]Standard Configuration

*Please consult the factory for application review assistance for media with dielectric constants < 40.

3.3 Sensor Labels



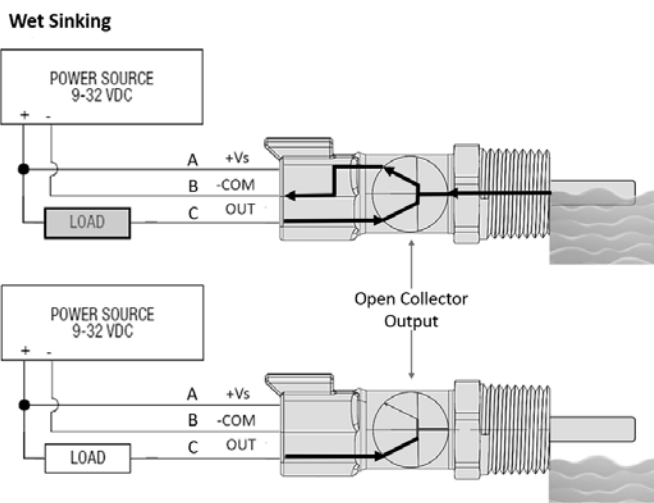
Product Label



Package Label

3.4 Operating Principle

The ULS-200 uses a solid-state switching output. It can be configured from our factory to switch to a positive “true” signal in either wet or dry condition. It can also be configured with a built in delay on rising, falling, or both. Diagram example is shown below (signal “true” when wet).

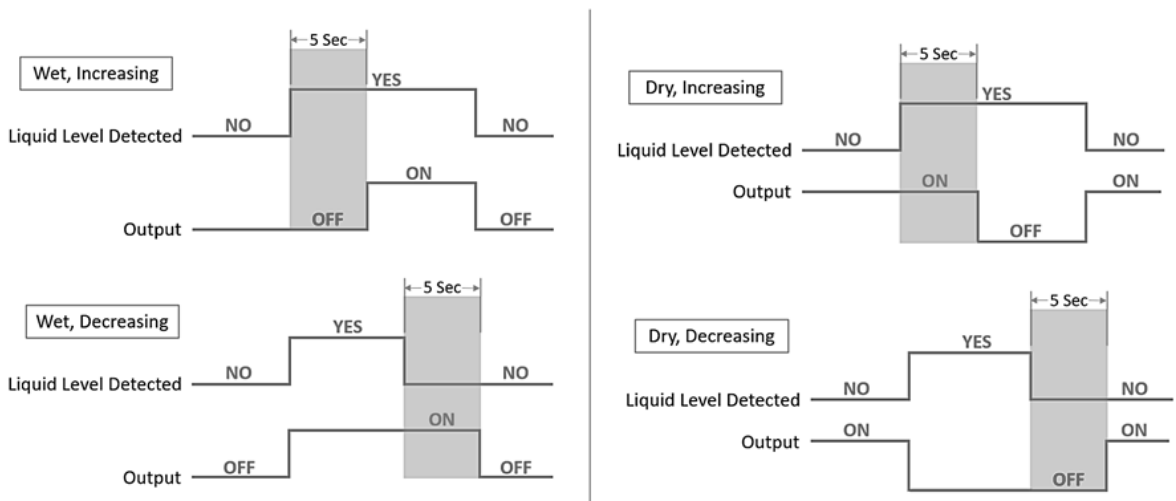


3.5 Sensor Technology

The ULS-200 uses capacitive sensing technology to detect the presence or absence of high (water-based) or low (oil-based) dielectric liquid media.

More on Capacitive sensing can be found here: <https://www.gemssensors.com/resource-center/operating-principles-installation-and-maintenance/level/capacitive-level-switch-operating-principle>

3.6 Time Delays



4. Installation

4.1 Torque Specifications

1/4" NPT	1 to 2 Turns Right Hand-Tight
1/2" NPT	1 to 2 Turns Right Hand-Tight
M12x1.5	14.5 - 16.5 ft/lb
G1/2-19	25 - 27.5 ft/lb


4.2 Orientation

Sensor may be mounted in any position. Optimal performance is with sensor in horizontal position. The sensing probe should be kept at least 0.50" (12.7 mm) away from any surface.

5. Electrical Connection


5.1 Safely Connect

All electrical connections should be carried out by qualified personnel.



WARNING: GEMS PRODUCTS MUST BE MAINTAINED AND INSTALLED IN STRICT ACCORDANCE WITH THE NATIONAL ELECTRICAL CODE AND THE APPLICABLE GEMS PRODUCT DATASHEET THAT COVERS INSTALLATION, OPERATION, AND PROPER MAINTENANCE. FAILURE TO OBSERVE THIS INFORMATION MAY RESULT IN SERIOUS INJURY OR DAMAGES. ELECTRICAL CONNECTIONS SHOULD ONLY BE CARRIED OUT BY TRAINED, AUTHORIZED PERSONNEL. IF OVERVOLTAGE SURGES ARE POSSIBLE, PROPER SURGE PROTECTION SHOULD BE INSTALLED.

5.2 Water Ingress Protection



WARNING: ALTHOUGH THE ULS-200 COMES WITH IP6K9K RATING, THAT DOES NOT INCLUDE THE ELECTRICAL MATING CONNECTION. TO INSURE BETTER PROTECTION FROM MOISTURE INGRESS, PLEASE CONSIDER THE FOLLOWING MEASURES:

- FIRMLY INSERT THE MATING CABLE UNTIL FULLY SEATED
- PATH THE CONNECTION CABLE OR WIRES DOWNWARDS

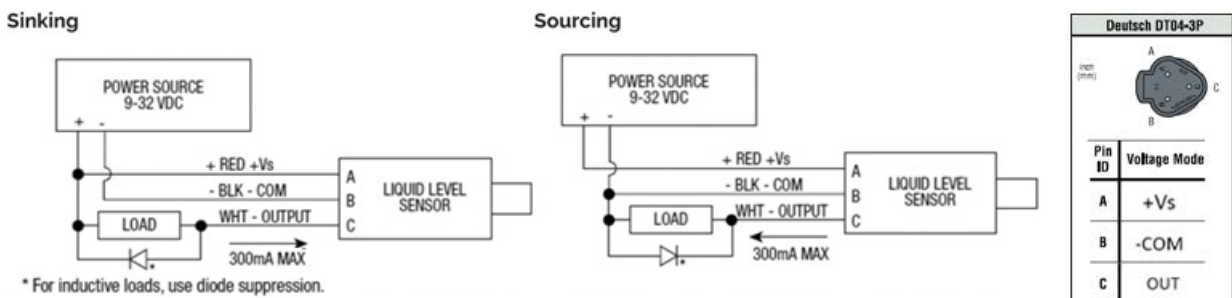
5.3 Voltage Supply

SUPPLY VOLTAGE	9-32 VDC
CURRENT CONSUMPTION	6mA Max. (No Load)

5.4 Wiring

OUTPUT	Solid-State, Sinking or Sourcing Output, 9-32 VDC, 300mA Max.
---------------	---

Wiring Diagram



More information on sinking vs sourcing found here:

- <https://article.gemssensors.com/knowledge/sinking-or-sourcing-general-overview>
- <https://article.gemssensors.com/knowledge/how-to-choose-between-wet-sink-or-dry-sink>
- <https://article.gemssensors.com/knowledge/how-to-choose-between-wet-source-or-dry-source>

6. Maintenance

6.1 Basic Maintenance

Only use cleaning agents that are compatible with the sensor’s materials. Use proper care when cleaning, and only use methods that do not exceed the housing protection rating.

- Electrical entries and mounting points in an enclosed tank may require liquid/vapor sealing.
- Our sensors must not be field-repaired.
- Physical damage sustained by product may render it unserviceable.

6.2 Basic Troubleshooting

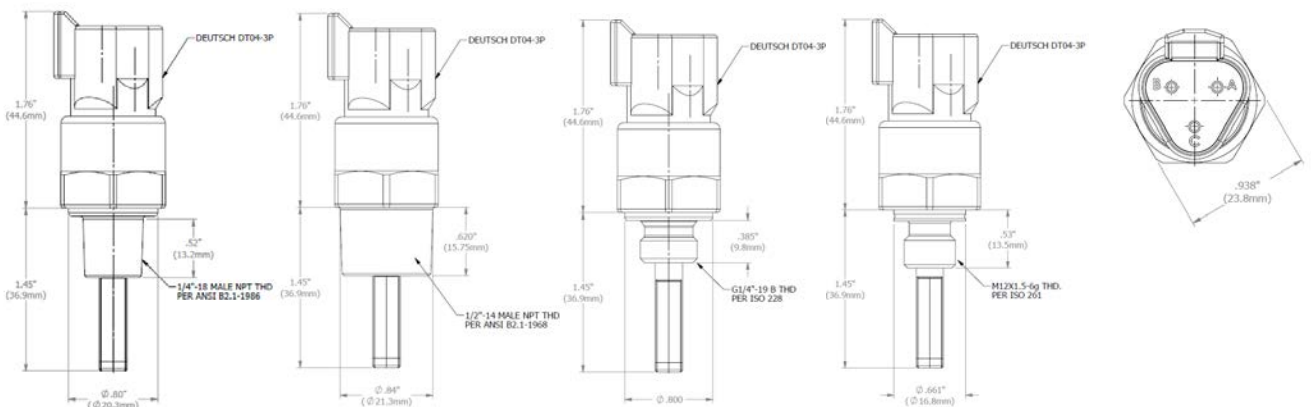
Is the power supply correct?	• Standard sensors require a 9 to 32 VDC input. Use a known good power supply as well as a known good voltmeter and see if the sensor responds to media.
Is the wiring correct?	• Wiring schematics can be found in section 5.4 of this document.
Did you inspect the sensing element?	• Make sure the sensing probe is clean without dried-on debris that could cause a false reading, and the probe should be kept at least 0.50" (12.7 mm) away from any surface.
Have you tested the sensor?	• Remove the sensor completely from your mechanical and electrical system. This will isolate any variable in the circuitry. Test with room temp tap water or engine oil. This way, it is a good known target fluid
Have you reviewed the mounting and switch point location?	• The sensor should not be mounted in a port or tube where media can get trapped. It should not be mounted at the top vertically or at a severe angle. Best mounting practice is horizontal direct into tank wall.
Is the dielectric constant outside of the sensor’s range?	• Please confirm the dielectric constant of the media. For dielectric constants < 40, please consult the factory for application review assistance.

Also see our guide on electrical noise here: <https://article.gemssensors.com/knowledge/electrical-noise-various-causes-and-how-to-avoid-effects>

6.3 Returns

Standard terms & conditions of sale apply. Refer to the document located online at <https://www.gemssensors.com/docs/default-source/resource-files/terms-conditions/gems-customer-terms>. All RA activity must go through the Gems quality services team. To initiate an RA please go to <https://catalog.gemssensors.com/support/ra>

7. Mechanical Construction



8. Certificates & Approvals

8.1 Certificates, Approvals & Ratings

IPX7 & IP6K9K per ISO 20653

Application of EU Directive(s):

- 2014/30/EU Electromagnetic Compatibility
- 2011/65/EU Restriction of Hazardous Substances in Electrical and Electronic Equipment and subsequent amendment 2015/863/EU

Harmonized Standard(s) to which Conformity is declared:

- EN IEC 61326-1:2021
- EN IEC 61326-2-3:2021
- EN IEC 63000:2018

9. Contact Information

Toll Free: 1-855-877-9666

Outside the US: 860-747-3000

Contact Email: is@gemssensors.com