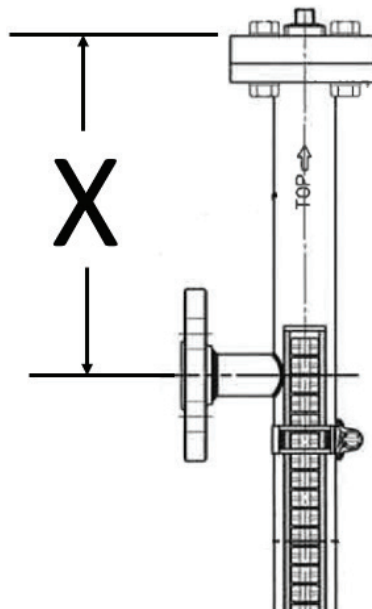


Mini SureSite Top and Bottom Dimensions

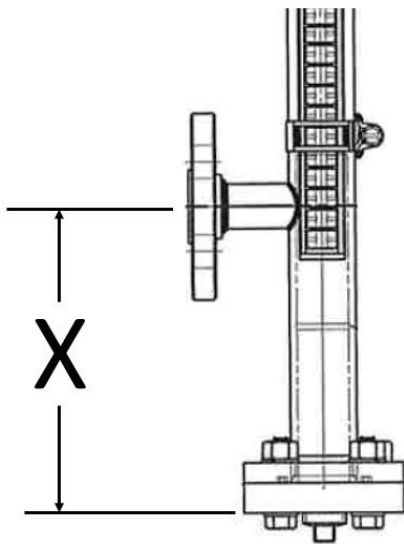
Top Dimensions

CONN	SIZE	.70-.79	.80-.83	.831-.88	.88-.93	.94-1.10	1.1-1.4	1.4-1.7
T1	N/A	1.656	1.719	1.969	2.219	2.719	3.406	4.032
T2	.25"	1.656	1.719	1.969	2.219	2.719	3.406	4.032
T2	.50"	1.906	1.969	2.219	2.469	2.969	3.656	4.281
T2	.75"	2.156	2.219	2.469	2.719	3.219	3.906	4.531
T3	.25"	2.781	2.844	3.094	3.344	3.844	4.531	5.156
T3	.50"	2.719	2.781	3.031	3.281	3.781	4.469	5.094
T3	.75"	3.188	3.25	3.5	3.75	4.25	4.938	5.563
T7	1"-1.50"	1.281	1.344	1.594	1.844	2.344	3.031	3.656
T8	1"-1.50"	1.594	1.656	1.906	2.156	2.656	3.344	3.969
T9	1"X.50"	3.844	3.906	4.156	4.406	4.906	5.594	6.219
T10**	N/A	1.656	1.719	1.969	2.219	2.719	3.406	4.031
T11*	.25-.75"	1.844	1.906	2.156	2.406	2.906	3.594	4.219
T11	1"	2.406	2.469	2.719	2.969	3.469	4.156	4.781
T12	.25"	2.969	3.031	3.281	3.531	4.031	4.719	5.344
T12	.50"	2.656	2.719	2.969	3.219	3.719	4.406	5.031
T12	.75"	2.875	2.937	3.188	3.438	3.938	4.625	5.25
T13	.5"/.75"	4.281	4.344	4.594	4.844	5.344	6.031	6.656
T18	.50"	4.406	4.469	4.719	4.969	5.469	6.156	6.781
T19	.50"-1"	4.281	4.344	4.594	4.844	5.344	6.031	6.656
T20	.50"-1"	4.031	4.094	4.344	4.594	5.094	5.781	6.406



Bottom Dimensions

CONN	SIZE	.70-.79	.80-.83	.831-.88	.88-.93	.94-1.10	1.1-1.4	1.4-1.7
B1	N/A	8.594	5.563	5.312	5.062	4.562	3.875	3.25
B2	.25"	8.594	5.562	5.312	5.062	4.562	3.875	3.25
B2	.50"	8.844	5.812	5.562	5.312	4.812	4.125	3.5
B2	.75"	9.094	6.062	5.812	5.562	5.062	4.375	3.75
B3	.25"	9.719	6.687	6.437	6.187	5.687	5	4.375
B3	.50"	9.656	6.625	6.375	6.125	5.625	4.937	4.312
B3	.75"	10.125	7.094	6.844	6.594	6.094	5.406	4.781
B7	1"-1.50"	8.219	5.187	4.937	4.687	4.187	3.5	2.875
B8	1"-1.50"	8.531	5.5	5.25	5	4.5	3.812	3.187
B9	1"X.50"	10.781	7.75	7.5	7.25	6.75	6.062	5.437
B10**	N/A	8.594	5.562	5.312	5.062	4.562	3.875	3.25
B11*	.25-.75"	8.781	5.75	5.5	5.25	4.75	4.062	3.437
B11	1"	9.344	6.312	6.062	5.812	5.312	4.625	4
B12	.25"	9.906	6.875	6.625	6.375	5.875	5.188	4.562
B12	.50"	9.594	6.562	6.312	6.062	5.562	4.875	4.25
B12	.75"	9.812	6.781	6.531	6.281	5.781	5.094	4.469
B13	.5"/.75"	11.219	8.187	7.937	7.687	7.187	6.5	5.875
B18	.50"	11.344	8.312	8.062	7.812	7.312	6.625	6
B19	.50"-1"	11.219	8.187	7.937	7.687	7.187	6.5	5.875
B20	.50"-1"	10.969	7.937	7.687	7.437	6.937	6.25	5.625



Match your connection with your specific gravity. Dimensions are from side port to top or bottom of unit. Add .75" when using a drain or vent plug. Add .375" for bolts when using a flange. For units with transmitters please contact the factory.