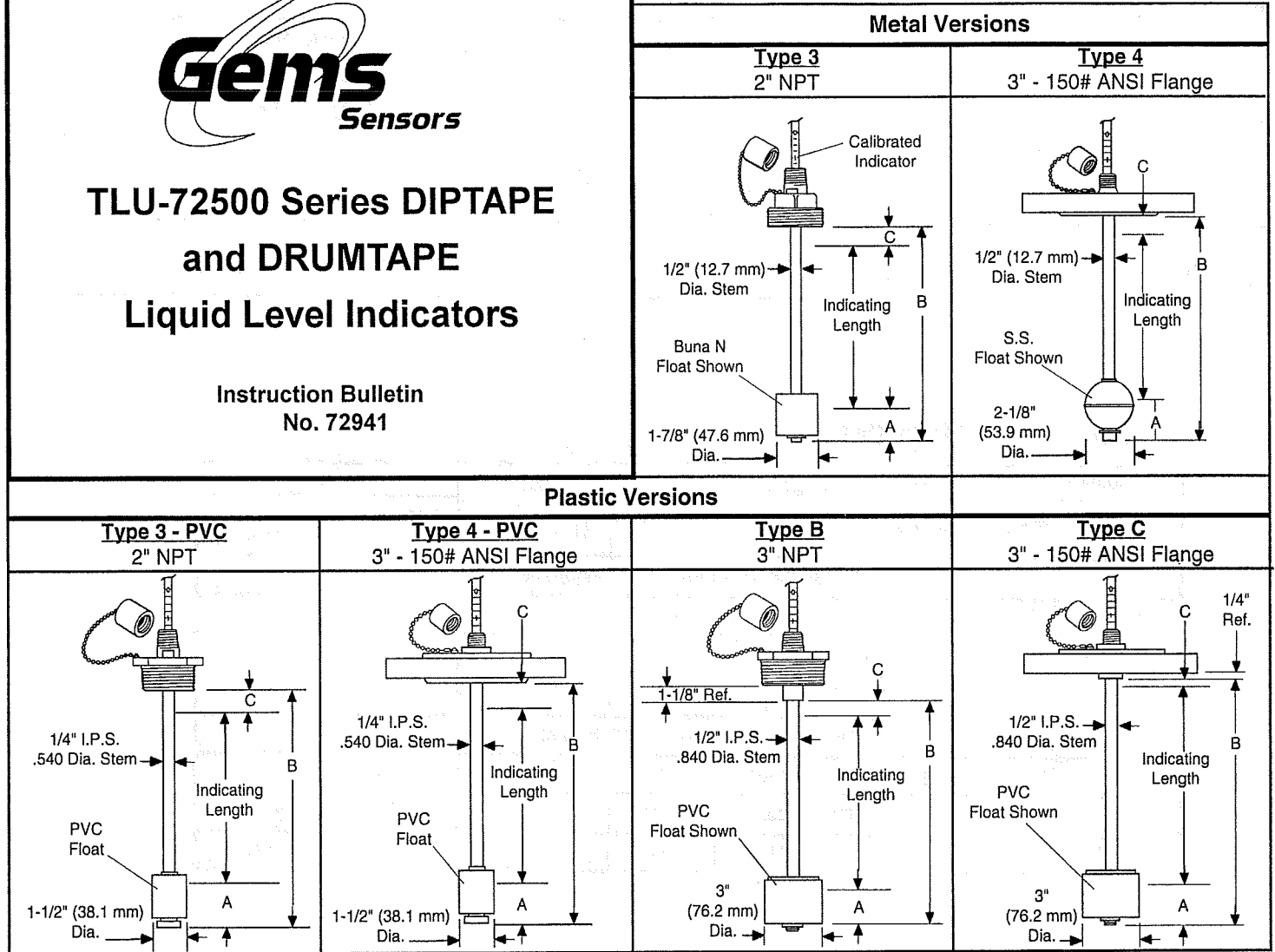


TLU-72500 Series DIPTAPE and DRUMTAPE Liquid Level Indicators

Instruction Bulletin
No. 72941

General Purpose DIPTAPE Indicators TLU-72500 Series . . .



Variable Dimensions . . .

	Model Type	Mounting	A Dim.* (Min. Indication)	C Dim.* (Min. Indication)	
Metal Versions	3	2" NPT	Buna-N Float: 1-1/4" (31.7 mm) Stainless Steel Float: 1-3/8" (34.9 mm)	Buna-N Float: 11/16" (17.5 mm) Stainless Steel Float: 3/4" (19.05 mm)	
	4	3" - 150# Flange			
Plastic Versions	3	2" NPT, PVC	1-5/8" (41.2 mm)	1/2" (12.8 mm)	
	4	3" - 150# Flange, PVC			
	B	3" NPT	Polypropylene	1-3/8" (34.9 mm)	1-5/16" (33.3 mm)
			PVDF	2-3/16" (55.6 mm)	1/2" (12.7 mm)
			PVC	1-3/4" (44.5 mm)	15/16" (23.8 mm)
	C	3" 150# Flange	Polypropylene	1-3/8" (34.9 mm)	1-5/16" (33.3 mm)
PVDF			2-3/16" (55.6 mm)	1/2" (12.7 mm)	
PVC			1-3/4" (44.5 mm)	15/16" (23.8 mm)	

*In Specific Gravity of 1.0

Specifications - TLU-72500 Series DIPTAPE Indicators . . .

Model Type	Stem	Mounting	Float/FI. Stop Mat'l.	Operating Temp.	Operating Press, Max.
Type 3	Brass or 316 SS		Buna N or 316 SS	Buna N Float: -40°F to +230°F (-40°C to 110°C). Water to 180°F (82.2°C) SS Float: -40°F to +300°F (-40°C to 148.9°C)	Buna N Float: 150 psig SS Float: 750 psig
Type 4	316 SS	CS or 316 SS Flange			Buna N Float: 150 psig SS Float: 150 psi
Type 3 - PVC	PVC			0°F to +140°F (-17.8°C to 60°C)	15 psig
Type 4 - PVC	PVC			0°F to +140°F (-17.8°C to 60°C)	15 psig
Type B	PVC, PVDF or Polypropylene			+40°F to +140°F (4.4°C to 60°C)	50 psig
Type C	PVC, PVDF or Polypropylene			+40°F to +140°F (4.4°C to 60°C)	50 psig

Specifications - DRUMTAPE Indicators

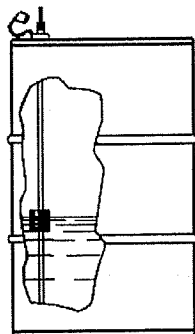
Material		Operating Pressure (Max. PSI)	Operating Temperature	Float Diameter	Min. Indication in Sp. Gr. of 1.0	Part Number	
Stem and Mounting	Float					Horizontal Drum	Vertical Drum
For 55 Gallon Drums, 2" NPT Mounting							
Brass	Buna N	150	0°F to +230°F*	1-7/8"	1-1/4"	71150	71152
All 316 SS		750	0°F to +300°F	2-1/8"	1-3/8"	71146	71148
All PVC		15	0°F to +140°F	1-1/2"	1-5/8"	71142	71144
For 30 Gallon Drums, 2" NPT Mounting							
Brass	Buna N	150	0°F to +230°F*	1-7/8"	1-1/4"	71149	71151
All 316 SS		750	0°F to +300°F	2-1/8"	1-3/8"	71145	71147
All PVC		15	0°F to +140°F	1-1/2"	1-5/8"	71141	71143

*Temperature Shown is for Oil. For Water: +33°F to +180°F.

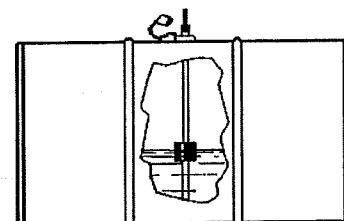
Indicating Lengths		
	Horizontal	Vertical
For 55 Gallon Drum	22"	33"
For 30 Gallon Drum	17 - 1/2"	26-1/2"

Note: Standard Indicating Markings are 1/16".

DRUMTAPE shown in vertically positioned storage drum.



DRUMTAPE shown in horizontally positioned storage drum.

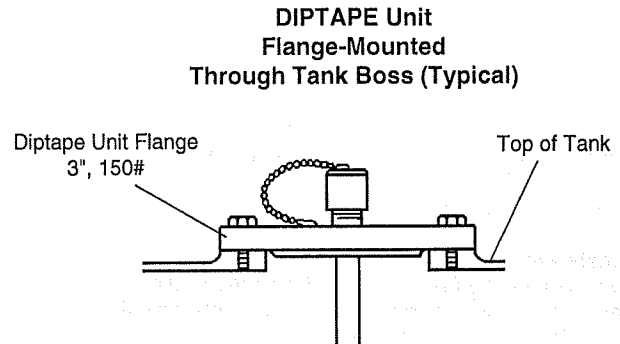
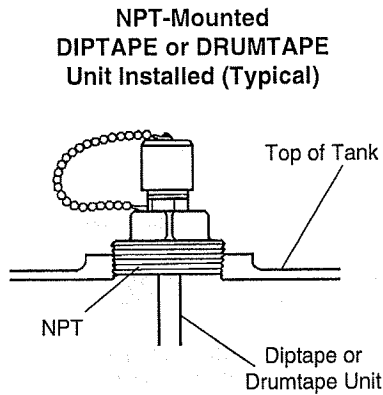


Installation . . .

GEMS DIPTAPE AND DRUMTAPE units are non-electrical and manually operated. Units are installed vertically, with mounting upward.

Install DIPTAPE unit in boss (NPT or flange-type, as appropriate) in tank top. See "Specifications" for NPT sizes.

Install DRUMTAPE unit in 2" NPT boss in top of drum as shown (below). See "Standard DRUMTAPE Models" for listing of unit part numbers, drum sizes and positions with which they are used.

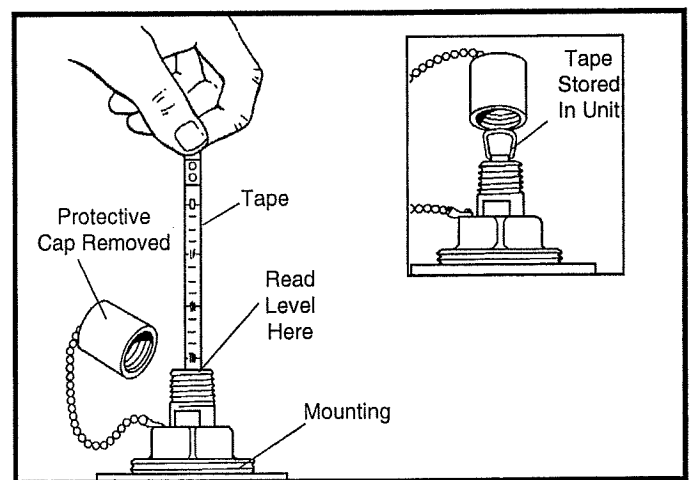


Standard DRUMTAPE Models . . .

Mounting	2" NPT		2" NPT	
	55 Gallon		30 Gallon	
Drum Size	55 Gallon		30 Gallon	
Drum Position	Horizontal	Vertical	Horizontal	Vertical
Unit Length Overall	22" (558.8mm)	33" (838.2mm)	17-1/2" (444.5mm)	26-1/2" (673.1mm)
Brass/Buna N	P/N 71150	P/N 71152	P/N 71149	P/N 71151
Stainless Steel	P/N 71146	P/N 71148	P/N 71145	P/N 71147
PVC	P/N 71142	P/N 71144	P/N 71141	P/N 71143

To Operate . . .

1. Unscrew and remove protective cap and pull tape out of unit until it stops.
2. Slowly lower tape into unit until slight pull is felt, as tape magnetically locks at float and stops.
3. Read level on tape at top of mounting.
4. Disengage tape from float with a quick flick of the wrist and lower tape back into unit. Replace protective cap.



**Operation of Diptape or Drumtape
Liquid Level Indicator**

Maintenance . . .

An occasional "wipe-down" cleaning of unit stem and float, when excessive contamination is present in the liquid, is the only maintenance normally required.

Important Points!

Product must be maintained and installed in strict accordance with the National Electrical Code and GEMS product catalog and instruction bulletin. Failure to observe this warning could result in serious injuries or damages.

An appropriate explosion-proof enclosure or intrinsically safe interface device must be used for hazardous area applications involving such things as (*but not limited to*) ignitable mixtures, combustible dust and flammable materials.

Pressure and temperature limitations shown on individual catalog pages and drawings for the specified flow switches must not be exceeded. These pressures and temperatures take into consideration possible system surge pressures/temperatures and their frequencies.

Selection of materials for compatibility with the media is critical to the life and operation of GEMS level indicators. Take care in the proper selection of materials of construction; particularly wetted materials.

Life expectancy of switch contacts varies with applications. Contact GEMS if life cycle testing is required.

Ambient temperature changes do affect switch set points, since the specific gravity of a liquid can vary with temperature.

Level indicators have been designed to resist shock and vibration; however, shock and vibration should be minimized.

Liquid media containing particulate and/or debris should be filtered to ensure proper operation of GEMS products.

Electrical entries and mounting points may require liquid/vapor sealing if located in an enclosed tank.

Level Indicators must not be field repaired.

Physical damaged sustained by the product may render it unserviceable.



Gems Sensors Inc.
One Cowles Road
Plainville, CT
06062.1198

tel 860.747.3000
fax 860.747.4244