

## D Series Spanner Tool

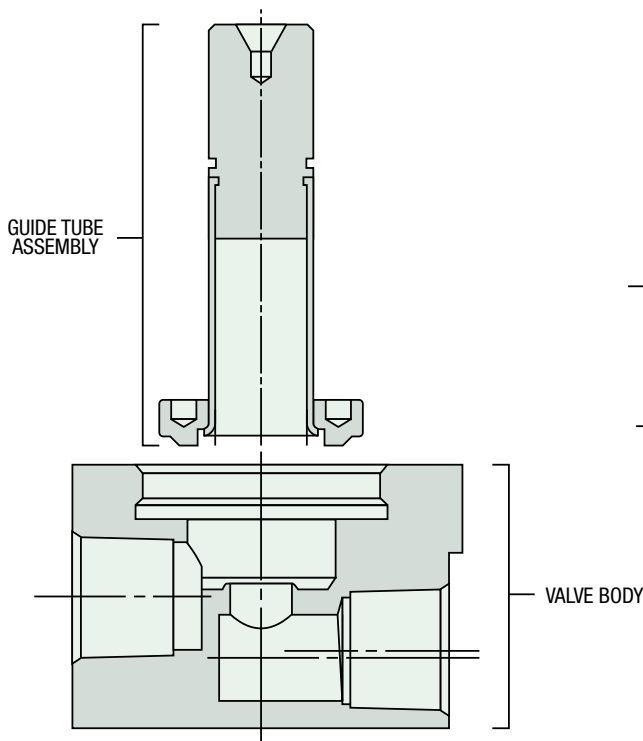
- ▶ Used to properly install Guide Tube Assembly into the Valve Body.
- ▶ P/N MFG-242

Applying torque to the tube may cause it to warp and impede the movement of the plunger. Apply 25 in-lbs ( $\pm 2$ ) of torque to ensure proper Elastomer Seal compression. 40 in-lbs ( $\pm 2$ ) for Non-Elastomer seals (Teflon™, Rulon®).

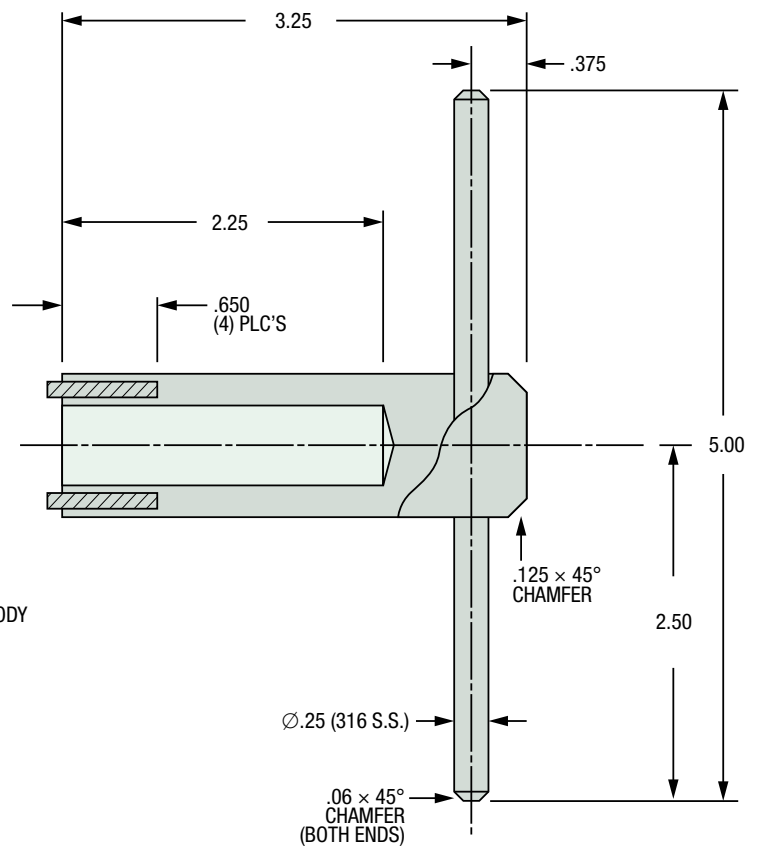


D Series Valve  
(Threaded Port Body)

D Series Valve



Spanner Tool (P/N MFG-242)



For current information on this or other Gems Integrated Solutions, please visit...

[GemsSensors.com](http://GemsSensors.com)