

Torque Specifications A, B, & D Series

Guide Tube Assembly*	
Elastomer Seal	25 in-lbs (±2)
Non-Elastomer Seal	40 in-lbs
Nut	18 in-lbs (±2)
Adapter	18 in-lbs (±2)
Ports (NPT, BSPT)	Hand tighten the male fitting into the port then rotate the fitting 1½ turns (minimum) for proper fastening.

*Applying torque to the tube may cause it to warp and impede the movement of the plunger.



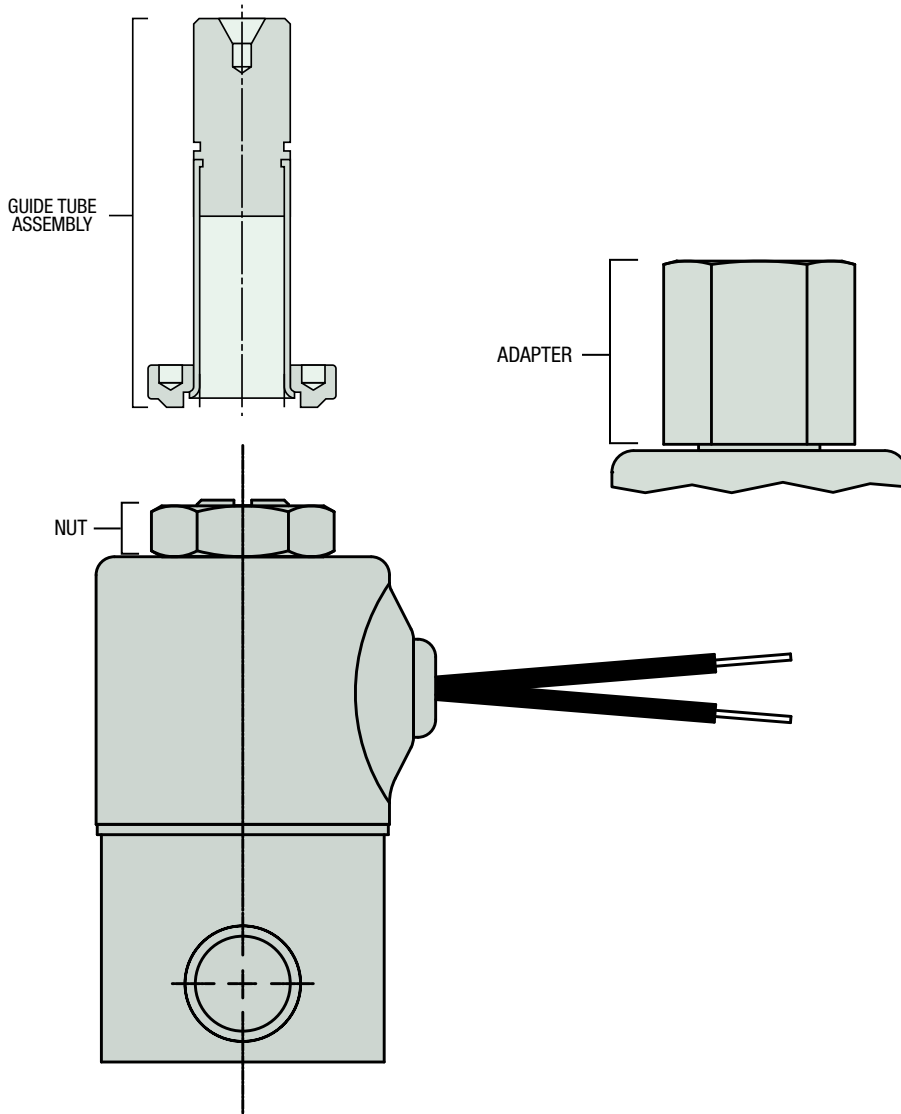
A Series Valve
(Molded Coil)



B Series Valve
(Threaded Port Body)



D Series Valve
(Threaded Port Body)



For current information on this or other Gems Integrated Solutions, please visit...

GemsSensors.com