

C Series – High Flow

- ▶ MOPD: 400 PSI (28 Bar)
- ▶ C_v Range: 0.019 to 0.420 (K_v Range: 0.016 to 0.357)
- ▶ 7 Watts

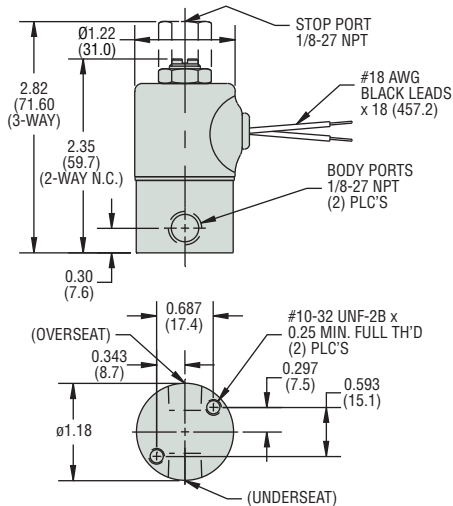
The C Series, available only in brass, is a highly durable miniature 2- or 3-way direct acting valve for applications that require a higher flow control. The C Series also utilizes a larger diameter body and larger port connections for higher C_v (K_v) valves rates. The free machining brass body allows for fast and precise machining, translating into lower product costs as compared to stainless steel. Design engineers appreciate the quality inherent in solid brass components.

Typical Applications

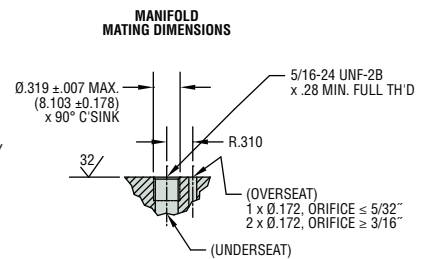
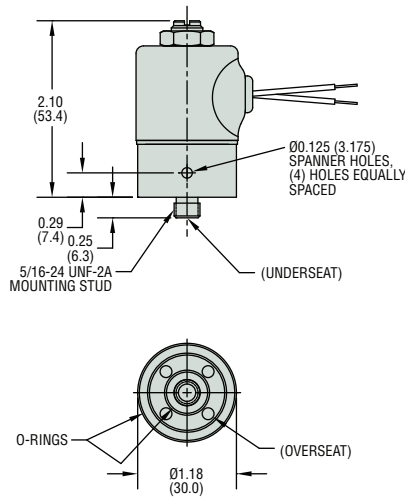
- Therapeutic Beds
- Automotive Applications
- Packaging Equipment

Dimensions

Threaded Port Body

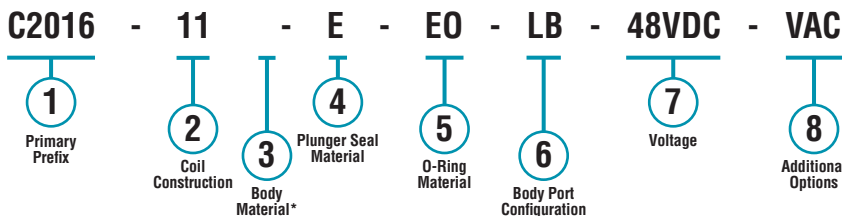


Manifold Mount Body



How To Order

Use the **Bold** characters from the choices listed on the following page to construct a product code.



* Blank entry indicates a "Standard" selection (Brass, in this case).

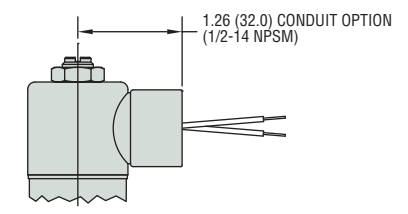
Example:

C2016-11-E-EO-LB-48VDC-VAC

2-Way N.C. solenoid valve, with tape-wrapped coil, Class-H, lead-wires, brass body, EPR plunger seal, EPR o-ring, 1/4-18 NPT female thread, operating at 48 VDC, and includes a vacuum application – 0 to 29.5" Hg (0 to 1000mBar) option.



Alternate 1/2" Conduit Housing Available on all body configurations



Part Prefix Table ①

	Orifice				MOPD		C _v		K _v		① Primary Prefix	
	Body		Stop		psig	bar	Body	Stop	Body	Stop	Grommet Housing	Conduit Housing
	inches	mm	inches	mm								
2-WAY N.C.	1/16	1.59	—	—	400	28	0.080	—	0.068	—	C2011	C2021
	7/64	2.78	—	—	200	14	0.180	—	0.153	—	C2012	C2022
	1/18	3.18	—	—	150	10	0.240	—	0.204	—	C2013	C2023
	5/32	3.97	—	—	100	6.9	0.300	—	0.255	—	C2014	C2024
	3/16	4.76	—	—	75	5.2	0.360	—	0.306	—	C2015	C2025
	7/32	5.56	—	—	40	2.8	0.420	—	0.357	—	C2016	C2026
2-WAY N.O.	—	—	1/32	0.79	400	28	—	0.019	—	0.016	C2211	C2221
	—	—	3/64	1.19	300	21	—	0.040	—	0.034	C2212	C2222
	—	—	1/16	1.59	200	14	—	0.075	—	0.064	C2213	C2223
	—	—	5/64	1.98	150	10	—	0.105	—	0.089	C2214	C2224
3-WAY N.C. Free Vent	1/16	1.59	1/16	1.59	125	8.6	0.080	0.075	0.068	0.064	C3011	C3021
	5/64	1.98	5/64	1.98	100	6.9	0.105	0.105	0.089	0.089	C3012	C3022
	1/8	3.18	5/64	1.98	50	3.4	0.240	0.105	0.204	0.089	C3013	C3023
	3/16	4.76	5/64	1.98	25	1.7	0.360	0.105	0.306	0.089	C3014	C3024
	7/32	5.56	5/64	1.98	VAC	1000 mbar	0.420	0.105	0.357	0.089	C3015	C3025
3-WAY N.C. Line Connection	1/16	1.59	1/16	1.59	125	8.6	0.080	0.075	0.068	0.064	C3111	C3121
	5/64	1.98	5/64	1.98	100	6.9	0.105	0.105	0.089	0.089	C3112	C3122
	1/8	3.18	5/64	1.98	50	3.4	0.240	0.105	0.204	0.089	C3113	C3123
	3/16	4.76	5/64	1.98	25	1.7	0.360	0.105	0.306	0.089	C3114	C3124
	7/32	5.56	5/64	1.98	VAC	1000 mbar	0.420	0.105	0.357	0.089	C3115	C3125
3-WAY N.O.	1/16	1.59	1/16	1.59	125	8.6	0.080	0.075	0.068	0.064	C3211	C3221
	5/64	1.98	5/64	1.98	100	6.9	0.105	0.105	0.089	0.089	C3212	C3222
	1/8	3.18	5/64	1.98	75	5.2	0.240	0.105	0.204	0.089	C3213	C3223
	3/16	4.76	5/64	1.98	40	3.4	0.360	0.105	0.306	0.089	C3214	C3224
	7/32	5.56	5/64	1.98	VAC	1000 mbar	0.420	0.105	0.357	0.089	C3215	C3225
3-WAY Multi Purpose	1/16	1.59	1/16	1.59	100	6.9	0.080	0.075	0.068	0.064	C3311	C3321
	5/64	1.98	5/64	1.98	75	5.2	0.105	0.105	0.089	0.089	C3312	C3322
	1/8	3.18	5/64	1.98	25	1.7	0.240	0.105	0.204	0.089	C3313	C3323
	3/16	4.76	5/64	1.98	10	0.7	0.360	0.105	0.306	0.089	C3314	C3324
	7/32	5.56	5/64	1.98	5	0.3	0.420	0.105	0.357	0.089	C3315	C3325
3-WAY Directional Control	1/16	1.59	1/16	1.59	150	10	0.080	0.075	0.068	0.064	C3411	C3421
	5/64	1.98	5/64	1.98	100	6.9	0.105	0.105	0.089	0.089	C3412	C3422
	1/8	3.18	5/64	1.98	50	3.4	0.240	0.105	0.204	0.089	C3413	C3423
	3/16	4.76	5/64	1.98	25	1.7	0.360	0.105	0.306	0.089	C3414	C3424
	7/32	5.56	5/64	1.98	5	0.3	0.420	0.105	0.357	0.089	C3415	C3425

2 Coil Construction**(blank)** = Tape-wrapped, Class-B, with 18" (45.7cm) lead-wires***W**__ = Tape-wrapped coil, lead-wires, non-standard length (specify in inches)**1** = Encapsulated coil, Class-B, lead-wires**3** = Encapsulated coil, Class-H, lead-wires**4** = Encapsulated coil, Class-B, 1/4" (6.35mm) spade terminals – 3/16" (4.76mm) spade optional**10** = Externally rectified coil (lead-wires only)**11** = Tape-wrapped coil, Class-H, lead-wires**HC2** = Encapsulated coil, Class-B, EN175301-803 Style C, Industrial, 9.4mm, 2+1 poles**3 Body Material****(blank)** = Brass***SB** = 304 Stainless Steel**SB1** = 303 Stainless Steel**SB5** = 316 Stainless Steel**SBF** = 430F Stainless Steel**4 Plunger Seal Material****(blank)** = Nitrile***E** = EPR**GV** = Gasoline Viton® (2-way N.C. only)**N** = Neoprene**NS** = Nitrile (NSF/FDA material)**PF** = Perfluoroelastomer**R** = Rulon® (2-way N.C. only)**T** = PTFE**V** = Viton®**5 O-Ring Material****(blank)** = Nitrile***EO** = EPR**NO** = Neoprene**NSO** = Nitrile (NSF/FDA material)**PFO** = Perfluoroelastomer**TO** = PTFE**VO** = Viton®**6 Body Port Configuration****(blank)** = 1/8-27 NPT female thread***LB** = 1/4-18 NPT female thread**BD** = #10-32 female straight thread – 2-way N.C. only, max. orifice = 1/8" (3.18mm)**LU** = 1/4-19 BSPT female thread (2-way N.C. only)**OB** = Omit body (operator style)**BO** = Bottom under-seat port, female thread**RL** = 90° porting - left hand**RR** = 90° porting - right hand**MM4** = Manifold mount (5/16-24 UNF-2A mounting stud)^{††}**BS** = Stop port, #10-32 female straight thread**7 Voltage[†] (see note below)**__ **VDC** = DC (specify voltage)__ **VAC** = AC (specify voltage; includes copper shading ring)**8 Additional Options****WM** = Mounting bracket**TP** = PTFE coated plunger**QO** = Quiet operation (2-way normally closed valves only)**S** = Silver shading ring**OC** = Cleaned for oxygen use**VAC** = Vacuum application – 0 to 29.5" Hg (0 to 1000 mBar)**G1** = One-piece 303 Stainless Steel guide assembly

(standard on 2-way normally open and all 3-way valves)

G5 = One piece 316 Stainless Steel guide assembly

* Standard selection; will be used unless otherwise specified. Standard selections are not referenced in final part number.

[†] Can be AC rectified without shading ring. Use coil construction Code 10.

^{††} Teflon® o-ring not suitable for manifold mount.

Gems specializes in the design and manufacturing of custom solenoid valves and fluidic systems. If you don't see what you're looking for, or have a question, contact us at 800-378-1600 or info@gemssensors.com.