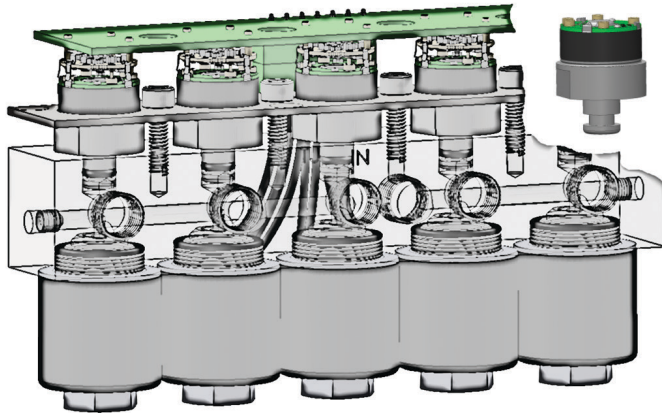


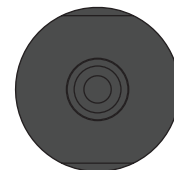
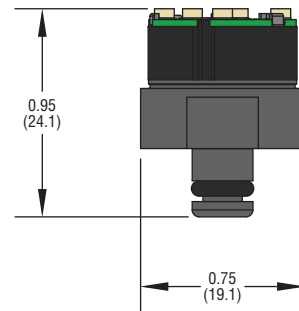
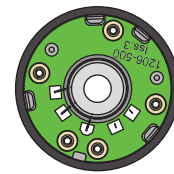
3100 PRESSURE PACKS



Pressure Solutions

When space is a premium but you can't compromise on: accuracy, stability, reliability, media compatibility or vibration resistance; choose to integrate the industry leading pressure transducer.

Typical Space Requirements



inch
(mm)

Specifications

All specifications listed are of "typical applications" and do not represent the extreme ranges of applications. For extreme applications consultations are encouraged.

Long Term Drift	0.2% FS/YR
Accuracy	.25% FS
Thermal Error	.83% FS/100°F (38°C)
Compensated Temperatures	-40°F to +257°F (-40°C to 125°C)
Operating Temperatures	-40°F to +257°F (-40°C to 125°C)
Zero Tolerance	1%
Span Tolerance	1%
Response Time	1ms
Fatigue Life	100,000,000 Cycles
Wetted Parts	17-4 PH Stainless Steel
Voltage Output	
Output (3 wire)	0V Min to 10V Max
Supply Voltage	2 Volts above full scale (30 Vdc Max)
Source and Sinks	2mA
Current Output	
Output (2 wire)	4-20mA
Supply Voltage	8-30Vdc
Max Loop Resistance	(Supply Voltage - 8) x 50 Ohms
Ratiometric Output	
Output	0.5-4.5Vdc
Supply Voltage	5Vdc ±10%

For current information on this or other Gems Integrated Solutions, please visit...

GemsSensors.com/fluidic-systems/integrated-sensors