

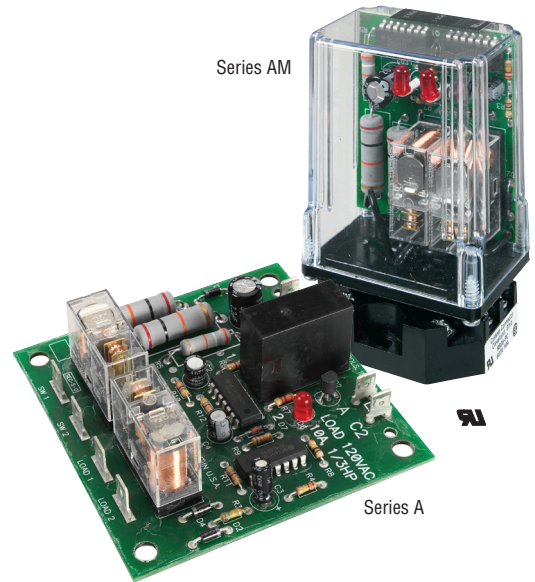
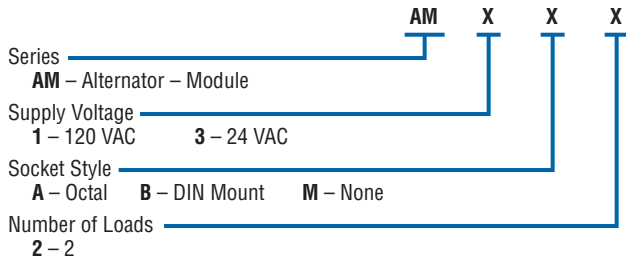
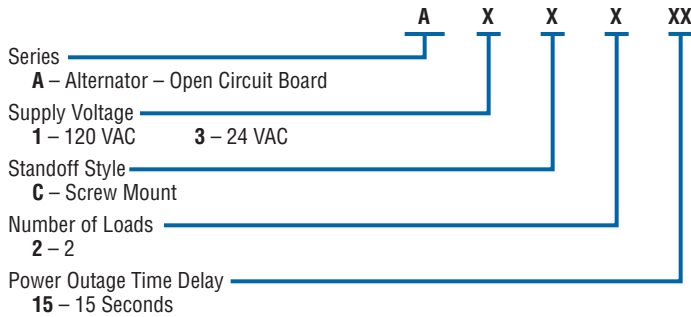
# Series A & AM Solid State Alternators

Series A has an open circuit board design. Series AM provides convenient plug-in design, either octal socket or DIN mount. The housing carries no NEMA rating.

<b>Contact Rating</b>	10 amp @ 120 VAC or 24 VAC Resistive
<b>Primary Voltage</b>	120 VAC, 24 VAC (+10%/-15%) 50/60 Hz
<b>Secondary Voltage</b>	20 mA @ 120 VAC, 80 mA @ 24 VAC
<b>Temperature</b>	-40°F to +150°F (-40°C to +65°C)
<b>Terminal Style</b>	
<b>Series A</b>	1/4" spade
<b>Series AM</b>	Screw connector
<b>Approvals</b>	U.L. 508 Recognized Motor Control

## How to Order

Use the **Bold** characters from the chart below to construct a product code.

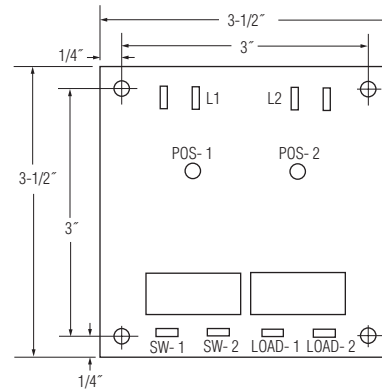


## Applications

- Duplex Pumping
- Single or Dual Switch Operation
- Power Outage Time Delay Available on Open Version (Series A)

## Dimensions

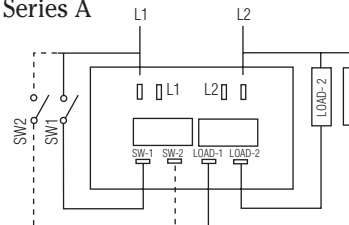
Series A



Series AM dimensions are the same as Series DC above.

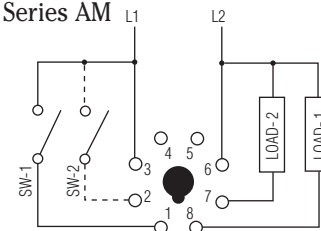
## Wiring

Series A



Note: For ease of wiring, L1 and L2 each have two tabs.

Series AM



WARRICK CONDUCTIVITY SENSORS