

Series 3M – Food Grade Fitting

Series 3MT – Food Grade Fitting

- ▶ Easy Removal for Cleaning
- ▶ CSA Approved
- ▶ FDA Approved Materials

Designed for use in food, beverage and pharmaceutical applications where cleanliness is vital. Two-piece Series 3M assemblies can handle up to 4 probes. FDA-approved materials. Engineered for fast removal of fitting to facilitate cleaning and sterilization.

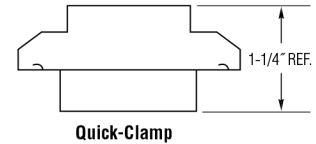
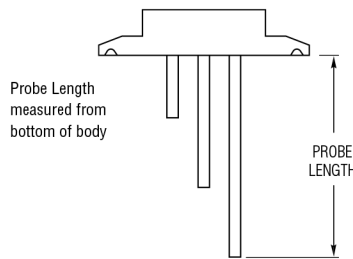
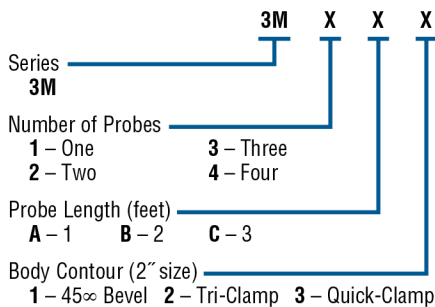
Series 3MT fittings are similar to 3M fittings, except they also feature Teflon®-covered probes with polished tips to meet the most demanding application requirements.

Specifications

Probes	1 thru 4
Body Contour	45° bevel, Tri-Clamp, Quick Clamp
Body Material	Type 66 Nylon
Probe Material	
Series 3M	316 stainless steel, cut to length by user
Series 3MT	Teflon®-covered 316 stainless steel probes. Tip polished to RA <25 microns max. spec. (factory set lengths)
Pressure/Temperature	150 psig (10.3 bar) @ 150°F (65°C)
Approvals	FDA-approved materials; CSA

How to Order Series 3M

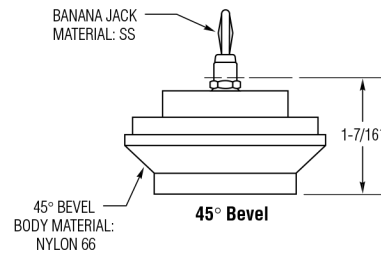
Use the **Bold** characters from the chart below to construct a product code.



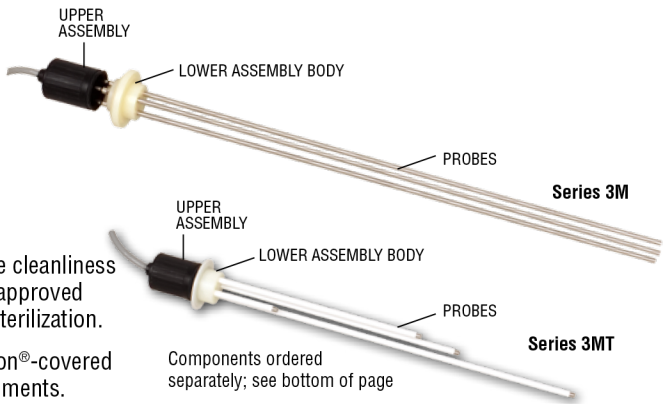
Quick-Clamp



Tri-Clamp



45° Bevel



Components ordered separately; see bottom of page

Applications

- Food & Beverage
- Pharmaceutical
- CIP

Body Styles

How to Order Series 3MT

3MT components must be ordered separately.

Step 1. Upper Assembly*:

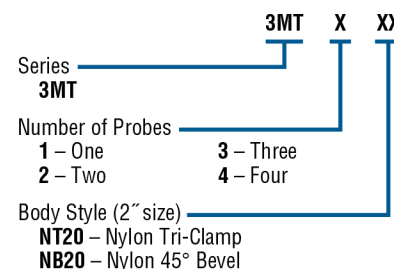
- Select one part number.
- 7790575** – 1 Probe
 - 7790577** – 2 Probes
 - 7790581** – 3 Probes
 - 7790584** – 4 Probes

*10' lead length standard.



Step 2. Lower Assembly:

Complete part number based on Upper Assembly selected and Body Style.



Step 3. Probe Lengths*:

Select a length for each probe to be used; maximum four.

- Probe 1 3MTPRL ___ (inches)
- Probe 2 3MTPRL ___ (inches)
- Probe 3 3MTPRL ___ (inches)
- Probe 4 3MTPRL ___ (inches)

*Probe length must be specified in whole inches, 06" to 36". Length is not field adjustable.

