

ORDER IT!

Ordering is Easy! See Page D-9.
Easy online ordering too!

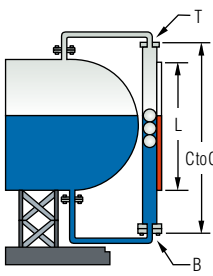
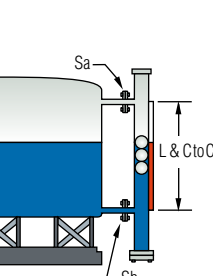
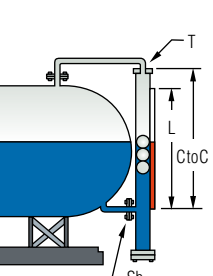
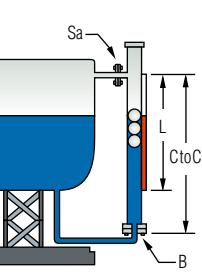
Standard Alloy Versions – Standard Size

- ▶ Temperatures to 750°F (399°C)
- ▶ Pressures to 700 psi (48 bar)

Rugged, welded construction makes these 2-1/2" (63.5 mm) diameter design, alloy SureSite Indicators dependable over a long service life indoors and out.

1. Mounting Configuration Types

To choose the best configuration for your application, focus on the process connections (connections where the liquid typically enters/leaves the SureSite).

	Type AA	Type BA	Type CA	Type DA
	Top and Bottom Process Connections	Side and Side Process Connections	Top and Side Process Connections	Side and Bottom Process Connections
				
L = Length of Visual Indication				
Typical Lengths*	C to C = L + 10-1/4" (260.4 mm)	C to C = L	C to C = L + 3-3/4" (95.2 mm)	C to C = L + 6-1/2" (165.1 mm)
Flag Material	Plastic (300°F / 148.9°C) or Aluminum (750°F / 399°C)			
Length of Indication (Uninterrupted)	240" (610 cm)			
Minimum Specific Gravity	0.39			


* Dimensions vary due to connections, material and specific gravity.

Note: Additional materials, floats, connections and manufacturing techniques are available to extend lengths and operational capabilities. Please contact GEMS Sensors if the parameters above do not meet your requirements.

2. Material

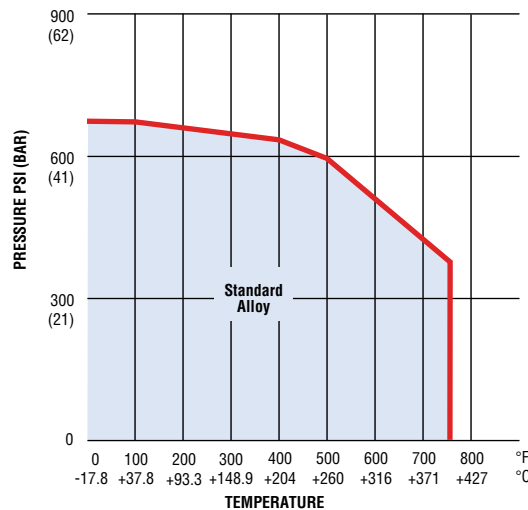
Housing and Float: 316 Stainless Steel

Pressure/Temperature performance parameters for alloy SureSite versions are specified in the chart at right. Please consult the factory with temperature/pressure requirements that fall outside the parameters shown here.

 = Stock Material (Best economy and delivery).

Materials		Code
Housing	Float	
316L Stainless Steel	316L Stainless Steel	2
Carpenter 20	Hastelloy C276	3*
Hastelloy C276	Hastelloy C276	4*

* Consult factory for pressure/temperature capabilities.



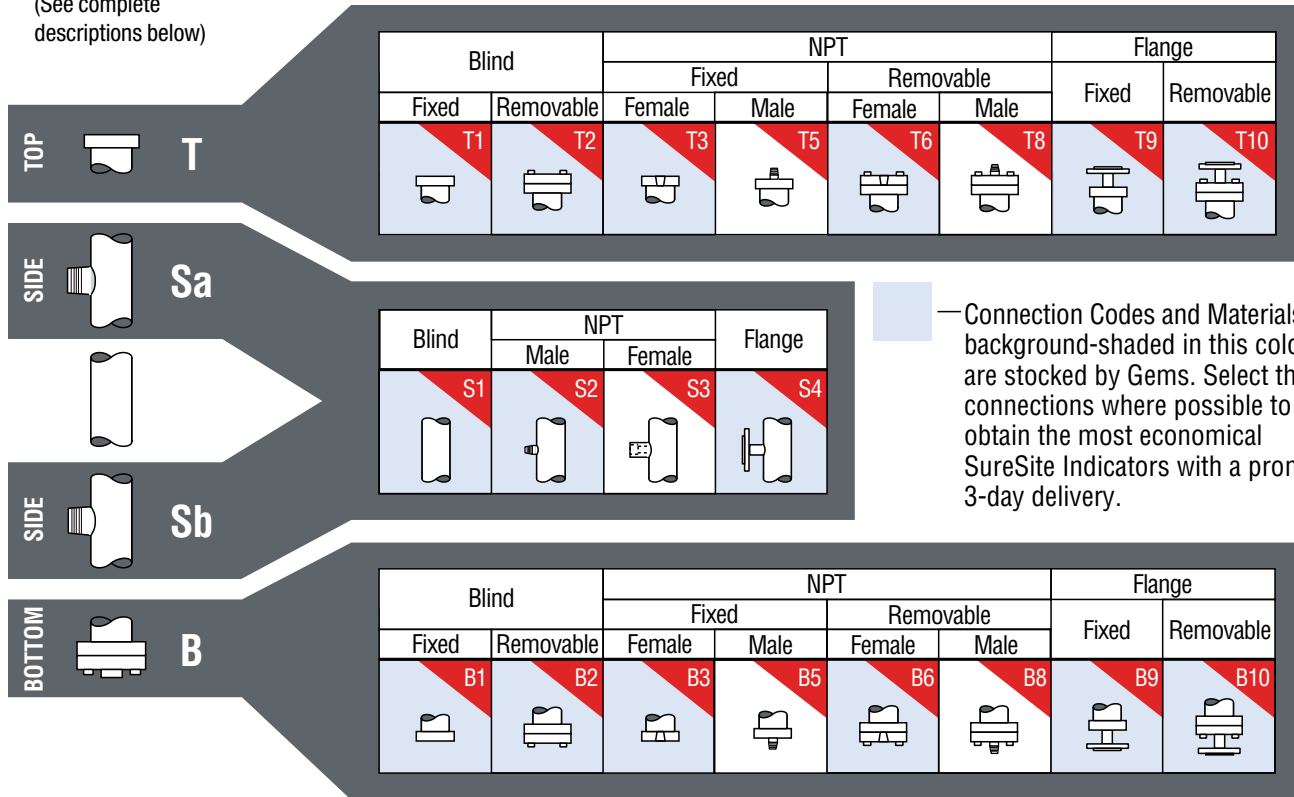
Note: SureSite Indicators are available for temperatures as low as -200°F (-129°C).



Type BA Shown

3. Connection Codes

(See complete descriptions below)



— Connection Codes and Materials background-shaded in this color are stocked by Gems. Select these connections where possible to obtain the most economical SureSite Indicators with a prompt 3-day delivery.

LEVEL INDICATORS – VISUAL

Connection Code Descriptions

Please provide all connections when completing the Order! Product Check List (located on the following page).

Note: Before selecting your connections, consider incorporating your vent and drain requirements.

T & B (Top and Bottom)

- T/B 1. Welded pipe cap
- T/B 2. Standard fixed flange/blind mating flange
- T/B 3. Welded pipe cap w/FNPT
- T/B 5. Welded pipe cap w/MNPT nipple
- T/B 6. Standard fixed flange/mating FNPT reducing flange
- T/B 8. Standard fixed flange/mating flange with MNPT nipple
- T/B 9. Welded pipe cap with ANSI flange
- T/B 10. Standard fixed flange/mating reducing flange spool

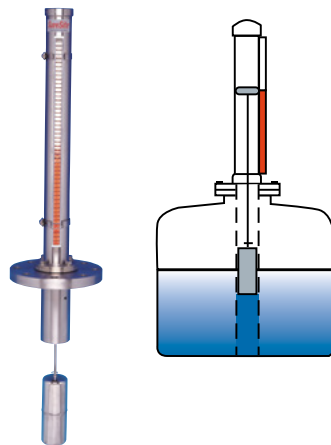
Sa & Sb Sides

- S1. No connection
- S2. MNPT nipple
- S3. FNPT coupling
- S4. ANSI flange



Top Mount Units

When it's not practical to access the side of a tank for liquid monitoring, look to SureSite Top Mount Indicators for the solution. Please consult with the factory for these specially configured indicators **1-800-378-1600**.




Need it quick? Choose materials and components with the color shading for 3-Day manufacturing and shipping. See the Product Configurator section at www.gemssensors.com for further details.

Accessories – Pages D-13 to D-15

Make more of your SureSite® Indicator with the productivity-enhancing accessories found at the end of this section.

- **Indicating Scales**
Add graduations to your flag indication.
- **Switch Modules**
Control pumps, valves, alarms, etc. Mount externally on housing for infinite positioning.
- **Continuous Output Transmitters**
Signal conditioned for compatibility with most electronic instruments to 300°F (149°C).

 <p>Photocopy This Form Use one form for each product type you are selecting. <small>This form may also be completed online at gemssensors.com for RFQ.</small></p>	This is a <input type="checkbox"/> Request for a Quote Name _____ <input type="checkbox"/> Order P.O.# _____ Company _____ Quantity Needed _____ Street _____ Date Required ____/____/____ City _____ State ____ Zip _____ Shipping Method: _____ Phone (____) _____ Partial Accepted: <input type="checkbox"/> Yes Fax (____) _____ <input type="checkbox"/> No
--	--

SureSite Indicators, Alloy Versions – Standard Size

Process Conditions

This information is essential to the accurate and proper operation of your SureSite® Visual Level Indicators. Please complete fully and accurately.

- | | |
|---|---|
| <p>1. Pressure: Operating _____ psig Maximum _____ psig</p> <p>2. Temperature: Operating _____ °F Maximum _____ °F</p> <p>3. Liquid Media: _____</p> | <p>4. Specific Gravity @ Operating Condition: _____</p> <p>5. Viscosity: _____ SSU</p> <p>6. Application Location: <input type="checkbox"/> Indoors <input type="checkbox"/> Outdoors</p> |
|---|---|

Physical Configuration

1. Mounting Configuration Types:

- Type AA Type BA Type CA Type DA Code 2 Code 3 Code 4

2. Housing and Float Material

3. Connection Codes – Complete all 4 connection code lines. Check off NPT or Flange size where appropriate.

▼ Connection Code Number Goes Here. **Connection Code Numbers and their descriptions are on Page D-8.**

Top T	NPT	Flange	
	<input type="checkbox"/> 1/2" <input type="checkbox"/> 1" <input type="checkbox"/> 2" <input type="checkbox"/> Other _____	<input type="checkbox"/> 1/2" <input type="checkbox"/> 1" <input type="checkbox"/> 2" <input type="checkbox"/> Other _____	<input type="checkbox"/> 150# (RF) <input type="checkbox"/> 600# (RF) <input type="checkbox"/> Other _____
Side Sa	NPT	Flange	
	<input type="checkbox"/> 1/2" <input type="checkbox"/> 1" <input type="checkbox"/> 2" <input type="checkbox"/> Other _____	<input type="checkbox"/> 1/2" <input type="checkbox"/> 1" <input type="checkbox"/> 2" <input type="checkbox"/> Other _____	<input type="checkbox"/> 150# (RF) <input type="checkbox"/> 600# (RF) <input type="checkbox"/> Other _____
Side Sb	NPT	Flange	
	<input type="checkbox"/> 1/2" <input type="checkbox"/> 1" <input type="checkbox"/> 2" <input type="checkbox"/> Other _____	<input type="checkbox"/> 1/2" <input type="checkbox"/> 1" <input type="checkbox"/> 2" <input type="checkbox"/> Other _____	<input type="checkbox"/> 150# (RF) <input type="checkbox"/> 600# (RF) <input type="checkbox"/> Other _____
Bottom B	NPT	Flange	
	<input type="checkbox"/> 1/2" <input type="checkbox"/> 1" <input type="checkbox"/> 2" <input type="checkbox"/> Other _____	<input type="checkbox"/> 1/2" <input type="checkbox"/> 1" <input type="checkbox"/> 2" <input type="checkbox"/> Other _____	<input type="checkbox"/> 150# (RF) <input type="checkbox"/> 600# (RF) <input type="checkbox"/> Other _____

- 4. Length of Visual Indication – L:** _____ inches (240", Max.).
 Connection to Connection Dimension – C to C: _____ inches.

Special Instructions (Materials, Connections, etc.)

5. Flag Type

- Plastic flags available to 300°F (149°C).
 Aluminum flags only for temperatures to 750°F (399°C).
 Plastic (Orange and White) Aluminum (Black and Silver)
 Non-Standard; Specify: _____ consult factory.

Accessories (Pages D-16 to D-18)

- | | |
|---|---|
| <p>1. Transmitters (Continuous Electrical Indication):
 <input type="checkbox"/> Low Temperature – 300°F (149°C)
 <input type="checkbox"/> High Temperature – 750°F (399°C)</p> <p>2. J-Box/Signal Conditioners Accessories:
 <input type="checkbox"/> Terminal Strip <input type="checkbox"/> 4–20 mA Output
 <input type="checkbox"/> 0–12 VDC Output <input type="checkbox"/> 0–5 VDC Output</p> <p>3. Power Supply: <input type="checkbox"/> 115 VAC (Input) /24 VDC (Output) (Optional)
 <input type="checkbox"/> 230 VAC (Input) /24 VDC (Output)</p> | <p>4. Switch Modules (Single Point): _____ Quantity (only if required)
 a. <input type="checkbox"/> SPST <input type="checkbox"/> SPDT <input type="checkbox"/> DPDT 120 VAC <input type="checkbox"/> DPDT 24 VDC
 b. <input type="checkbox"/> Standard – 300°F (149°C)
 <input type="checkbox"/> High Temperature – 750°F (399°C)</p> <p>5. Indicating Scales:
 <input type="checkbox"/> Feet and Inches <input type="checkbox"/> Inches <input type="checkbox"/> Metric <input type="checkbox"/> Blank
 <input type="checkbox"/> Custom Graduations; specify: _____</p> |
|---|---|

Please contact GEMS Sensors Inc. for any configuration or special requirements not covered on this form. **800-378-1600**

Quote: \$ _____ Date Quoted: ____/____/____

