

# Small Size – Engineered Plastics

## XMP/XTP-800 Series Delivers Excellent Chemical Compatibility

- ▶ PVC or Polypropylene Materials
- ▶ 1/4" Resolution
- ▶ Lengths to 70 inches (177.8 cm)

Specifically designed to monitor chemical tanks and vats, the XMP-800 Series provides superb resistance to corrosive liquids and vapors. Use XMP-800 transmitters with GEMS Digital Bargraph Display Receiver or Level Cube Receivers described in this catalog. The XTP-800 Series adds a choice of signal conditioning for use with GEMS digital bargraph display receivers or other digital instrumentation and control equipment.

**ORDER IT!**  
Ordering is Easy! See Page C-18.  
Easy online ordering too!

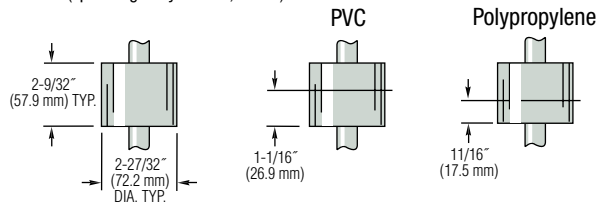


LEVEL SENSORS – CONTINUOUS

	Type A	Type B	Type C
	1" NPT	3" NPT	3" 150# Flange
<b>XMP-800 Dimensions</b>			
<b>XTP-800 Dimensions</b>			
<b>Stem, Mounting and Float Stop Material</b>	PVC or Polypropylene		
<b>Operating Temperature</b>	See Chart, Next Page		
<b>Operating Voltage</b>	10-30 VDC		
<b>Overall Length, Max.</b>	70" (177.8 cm); please consult factory for longer lengths		

## 2. Float Types

Float submersion depths:  
In water (specific gravity of 1.00; ±0.3')

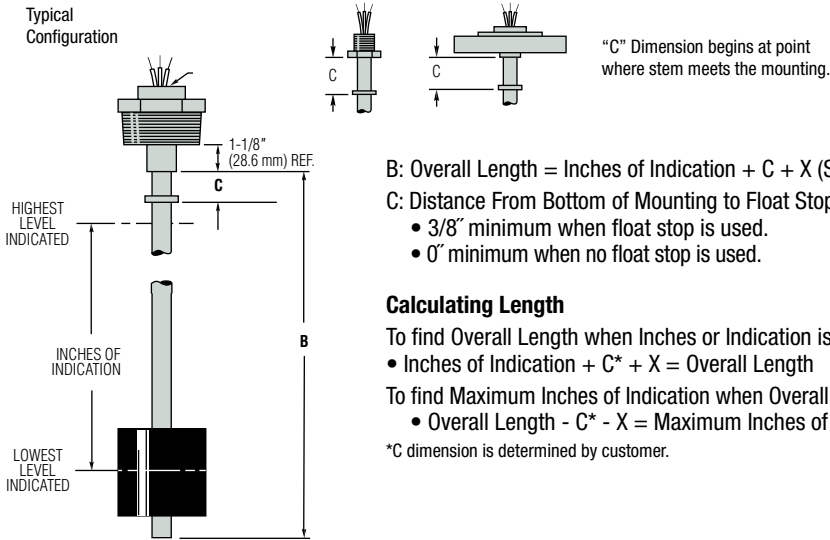


Material	Min. Liq. Specific Gravity	Part Number	Maximum Pressure vs. Temperature					
			0°F (17.8°C)	70°F (21.1°C)	100°F (37.8°C)	125°F (51.7°C)	140°F (60.0°C)	170°F (76.7°C)
PVC	.60	<b>61326</b>	50 PSI	50 PSI	35 PSI	20 PSI	10 PSI	-
Polypropylene	.40	<b>61327</b>	50 PSI	50 PSI	40 PSI	35 PSI	30 PSI	25 PSI

■ = Not recommended at these temperatures

## 3. Dimensions

Typical Configuration



B: Overall Length = Inches of Indication + C + X (See Table at Right)

C: Distance From Bottom of Mounting to Float Stop (Customer Specified):

- 3/8" minimum when float stop is used.
- 0" minimum when no float stop is used.

### Calculating Length

To find Overall Length when Inches or Indication is known:

- Inches of Indication + C\* + X = Overall Length

To find Maximum Inches of Indication when Overall Length is known:

- Overall Length - C\* - X = Maximum Inches of Indication

\*C dimension is determined by customer.

### Float Factor – X

Float Part Number	X
<b>61326</b>	3.5" (88.9)
<b>61327</b>	3.5" (88.9)

Inch (mm)

## 4. Input/Output

For XM Series, no special output designation is necessary.


For XT Series, specify the desired signal conditioning by Part Number.

Additional information about GEMS signal conditioning modules is found on Page C-26.

Series	Input Voltage	Output Signal	Part Number	Electrical Termination	Compatible Mountings		
					Type A	Type B	Type C
XMP-800	10 to 30 VDC	Proportional Voltage	—	Lead Wires (3), #22 AWG, 24" (60.9 cm), Polymeric Jacket	●	●	●
XTP-800	8 to 24 VDC	0-5 VDC*	<b>51965</b>	Lead Wires, #22 AWG, 24" (60.9 cm), PTFE Jacket	●	●	●
	14 to 30 VDC	0-12 VDC*	<b>51970</b>		●	●	●
	8 to 24 VDC	0-5 VDC	<b>154687</b>	ABS Junction Box		●	●
	15 to 30 VDC	0-12 VDC	<b>154685</b>			●	●
	10 to 40 VDC	4-20 mA	<b>116970</b>			●	●
		4-20 mA	<b>112300</b> ⚡	Panel Mount with Plug-in Base	●	●	●

\* Stem mounted.

⚡ = Stock item

 <p><b>Photocopy This Form</b> Use one form for each product type you are selecting. This form may also be completed online at <a href="http://gemssensors.com">gemssensors.com</a> for RFQ.</p>	This is a Request for a Quote Order P.O. _____	Name _____ Company _____ Street _____ City _____ State ____ Zip _____ Phone (____) _____ Fax (____) _____
	Quantity Needed _____ Date Required ____/____/____ Shipping Method: _____ Partial Accepted:      Yes No	

## Float Type Level Transmitters – XMP/XMT-800 Series Small Size, Engineered Plastics

### Application Environmental Conditions

This information is essential to the accurate and proper operation of your GEMS configurable sensors. Please complete fully and accurately.

- |  |   |
|--|---|
| <b>1. Liquid Media:</b> _____                                | <b>5. Viscosity:</b> _____ SSU                        |
| <b>2. Pressure:</b> Minimum _____ psig    Maximum _____ psig | <b>6. Tank Material:</b> _____                        |
| <b>3. Temperature:</b> Minimum _____ °F    Maximum _____ °F  | <b>Tank Depth:</b> _____                              |
| <b>4. Specific Gravity:</b> Minimum _____    Maximum _____   | <b>7. Unit is Mounted In:</b> Tank Top    Tank Bottom |

#### 1. Series:

XMP-800                  XTP-800

#### 2. Mounting Type:

Type A                  Type B                  Type C

#### 3. Mounting and Stem Material:

PVC                  Polypropylene

#### 4. Float Type:

61326 – PVC                  61327 – Polypropylene

#### 5. Dimensions:

a. Overall Length:

Indicating Length    C Dimension    X  
 \_\_\_\_\_ + \_\_\_\_\_ " + 3.5" =   " 70" (177.8 cm) maximum.

Notes:

1. Consult factory for longer lengths.
2. Indicating Length: 1/2" Increments.
3. C Dimension: 3/8" minimum when float stop is used; 0" minimum when no float stop is used.

#### 6. Input/Output:

a. Optional 24 VDC Power Supply:

115 VAC input                  230 VAC input

b. Signal Conditioners (XTP-800 Series Only):

- 51965 (0-5 VDC – stem)
- 51970 (0-12 VDC – stem)
- 154687 (0-5 VDC – J-box)
- 154685 (0-12 VDC – J-box)
- 116970 (4-20 mA – J-box)
- 112300 (4-20 mA – panel mount)

Please contact Gems for any configuration or special requirements not covered on this form. **800-378-1600**

Quote: \$ \_\_\_\_\_                  Date Quoted: \_\_\_\_/\_\_\_\_/\_\_\_\_

