

## Small Size – Engineered Plastics

### LS-3 Series – Offers High Reliability, Compact Size and Low Costs in NPT, Straight and Metric Threads

Ideal for shallow tanks or restricted spaces, or for any low-cost, high volume use. LS-3 Series are available in FDA compliant materials, consult GEMS for details.

Polysulfone Float



FDA  
CE  
UL US

For water based liquids, with limited use in oils and chemicals.

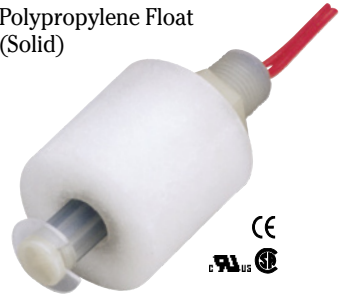
Polypropylene Float (Hollow)



CE  
UL US

Features a low specific gravity float offering broad chemical compatibility.

Polypropylene Float (Solid)



CE  
UL US

With Polypropylene stem and float, switch offers broad chemical compatibility.

Buna N Float



CE  
UL US

Ideal for oils and fuels.

ALL-PVDF



UL US  
CE  
FDA

Wetted materials of construction comply with FDA food contact regulations.

Stem and float of corrosion-resistant PVDF for ultra-pure applications.

New 3/4" Polypropylene Float



UL US  
CE

See next page for details.



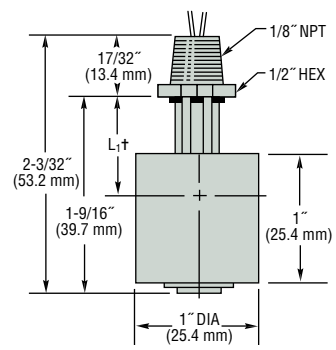
**RoHS Compliant:**  
All LS-3 Series level switches featured on this page and the next are in compliance with EU-directive 2011/65/EC.

### Common Specifications

**Approvals:** U.L. Recognized – File No. E45168; CSA Listed – File No. 30200. CE Declaration Available Upon Request.  
RoHS – In compliance with EU-directive 2011/65/EC requirements for chemicals and substances.  
For NSF certified level switch products, contact Gems.

**Switch SPST:** 20 VA, 120-240 VAC. Units are shipped N.O. unless otherwise specified. Selectable, N.O. or N.C., by inverting float on unit stem.  
**For LS-3 Micro:** 20 VA, 140 VAC/200 VDC

### Dimensions – 1" Float Models only



† L<sub>1</sub> = Actuation Level (see chart on next page)

	Alternate Mountings		
	3/8"-16 Straight Thread	G1/8" 1/8"-28 BSP	M12x 1.75 Straight Thread
Electrical Termination	Lead Wires	Cable	Cable

How To Order – Select Part Number based on specifications required.

Stem and Mounting Material	Float Material	Float Dia.	Actuation Level <sup>1</sup>	Min. Liquid Sp. Gravity	Pressure Max. @ 70°F (21°C)	Operating Temperature	Mounting Type	Electrical Termination	Part Number
Polysulfone	Polysulfone	1"	3/4" (19.0 mm)	.75	50 psi (3 bar)	-40°F to +225°F (-40°C to +107°C)	1/8" NPT	Lead Wires	42295 ⚡
Polypropylene <sup>2</sup>	Polypropylene (Hollow)	1"	13/16" (20.6 mm)	.60	50 psi (3 bar)	-40°F to +225°F (-40°C to +107°C)	1/8" NPT	Lead Wires	142505 ⚡
							3/8"-16	Lead Wires	171517 ⚡
							G 1/8"-28	Cable	171518
Polypropylene <sup>2</sup>	Polypropylene (Solid)	1"	9/16" (14.3 mm)	.90	150 psi (10 bar) @ 68°F (20°C)	-40°F to +176°F (-40°C to +80°C)	M12x1.75	Cable	189739
							1/8" NPT	Lead Wires	116826 ⚡
Nylon	Buna	1"	13/16" (20.6 mm)	.45	150 psi (10 bar)	-40°F to +250°F (oil) (-40°C to +121°C [oil])	3/8"-16	Lead Wires	171514 ⚡
							M12x1.75	Cable	189787
Polypropylene (PVDF float retaining clip) LS-3N <sup>3</sup>	Polypropylene (Hollow) LS-3N <sup>3</sup>	1"	13/16" (20.6 mm)	.60	50 psi (3 bar)	-40°F to +225°F (-40°C to +107°C)	1/8" NPT	Lead Wires	209475
							3/8"-16	Lead Wires	209455
							G 1/8"-28	Lead Wires	209460
							M12x1.75	Lead Wires	209465
PVDF LS-3F <sup>4</sup>	PVDF LS-3F <sup>4</sup>	1"	1/2" (12.7 mm)	.86	50 psi (3 bar)	-40°F to +250°F (-40°C to +121°C)	1/8" NPT	Teflon <sup>®</sup> Jacketed Lead Wires	173250 ⚡

Notes:

- Based on a liquid specific gravity of 1.0.
- All Polypropylene units carry a Kynar<sup>®</sup> retaining clip. Accessories Available in OEM Quantities: Jam Nut, Gaskets, and Slosh Shields.
- LS-3N is an NSF certified product, for water use only.
- LS-3F is an NSF certified product for all food contact.

⚡ – Stock Items.

LEVEL SWITCHES – SINGLE POINT

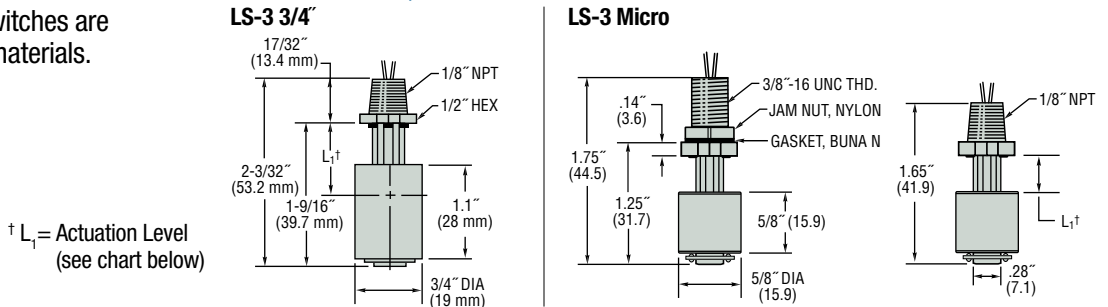
## Miniature and Micro Floats for Tiny Tanks

### Our smallest LS-3 Series switches yet!

Small yes, but with BIG performance. No other miniature float switches match our LS-3 specs. These units are ideal for potable water, medical devices and other compact appliances, such as printers. Gems proprietary float enables use in lighter-than-water fluids. Switches are made from FDA compliant materials.



#### Dimensions – 3/4" and Micro Series



† L<sub>1</sub> = Actuation Level (see chart below)

Series	Stem and Mounting Material	Float Material	Actuation Level <sup>1</sup>	Min. Liquid Sp. Gravity	Pressure Max. @ 70°F (21°C)	Operating Temperature	Electrical Termination	Mounting Type	Switch Logic	Part Number
LS-3 3/4" <sup>2</sup>	Polypropylene <sup>2</sup>	Polypropylene (Solid)	7/16" (11.1 mm)	.95	100 psi (6.9 bar)	-40°F to +212°F (-40°C to +100°C)	Lead Wires or Cable	1/8" NPT	N.C./N.O.	201540
	Nylon	Buna	11/16" (17.5 mm)	.85	150 psi (10.3 bar)	-40°F to +250°F (oil) (-40°C to +121°C [oil])	Lead Wire		Reverse Float Position	177818
LS-3 Micro	Polypropylene	Polypropylene (Hollow)	3/8" (9.5 mm)	.95	50 psi (3 bar)	-40°F to +176°F (-40°C to +80°C)	PVC Jacketed Lead Wires 24"-26"	1/8" NPT	N.O.	247135
								3/8"-16 Straight	N.C.	247137
									N.O.	246985
									N.C.	246986

Notes:

- Based on a liquid specific gravity of 1.0.
- Utilizes a Kynar<sup>®</sup> retaining clip.

## Unique Features Make These LS-3 Models Special

These small switches feature unique configurations for special applications.

LEVEL SWITCHES – SINGLE POINT

Part No. 142545  
With Slosh Shield



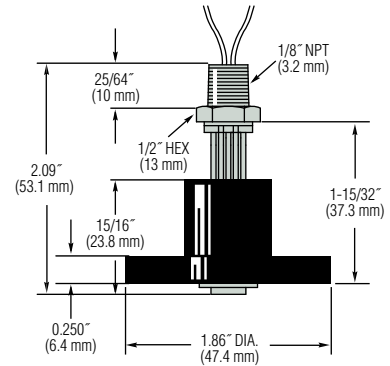
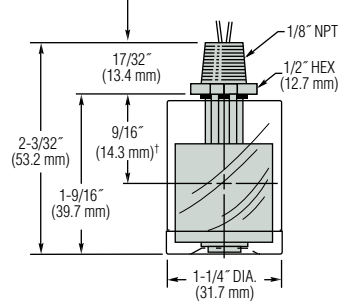
Cut-away version shown

Compact, all-polypropylene switch with slosh shield is ideal for use with turbulent liquids in small tanks. FDA compliant materials.

Part No. 76707  
For Low Level



For detecting levels as low as 5/8" from tank bottom. Use in water, some oils and chemicals.



Order By Part Number	142545 ⚡	76707 ⚡
<b>Materials</b>		
<b>Stem and Mounting</b>	All Polypropylene (Including Shield <sup>4</sup> )	All Polysulfone (Including Collar)
<b>Float</b>	Polypropylene (Solid)	Buna N
<b>Other Wetted</b>	—	Epoxy
<b>Min. Liquid Sp. Gr.</b>	.90	—
<b>Operating Temperature</b>	-40°F to +150°F (-40°C to +65.6°C)	-40°F to +180°F (-40°C to +82.2°C)
<b>Pressure, PSI, Max.<sup>3</sup></b>	150	50
<b>Switch<sup>1</sup>, SPST</b>	20 VA, N.C./N.O. Dry <sup>2</sup>	20 VA, N.C. Dry
<b>Electrical Termination</b>	No. 22 AWG, 22' L., PVC Lead Wires	No. 22 AWG, 72' L., PVC Lead Wires

Notes:

- See "Electrical Data" on Page X-5 for more information.
- Switch operation is selectable, N.O. or N.C., by inverting the float on the unit stem.
- Maximum pressure at 70°F (21°C).
- Consult factory for other available materials.

† L<sub>1</sub> = Switch actuation level, nominal (based on a specific gravity of 1.0).

⚡ – Stock Items.