

1100 Series Voltage Output

Compact Low Cost OEM Pressure Transmitters



- ▶ Exceptional Long Term Stability
- ▶ 0–150 psi to 0–10,000 psi Ranges (0–10 bar to 0–700 bar)
- ▶ High Proof Pressures with All Stainless Steel Wetted Parts
- ▶ Best in Class Price to Performance Ratio in a Small Package Size
- ▶ Proven Thin Film Sensor Technology

The 1100 Series is a low cost, high quality all stainless steel media isolated Pressure Sensor for measuring gases and liquids compatible with stainless steel. Suitable for industrial, refrigeration, hydraulics, offroad, construction and agriculture applications, the 1100 Series has been designed specifically for those applications with demanding price and performance requirements.

Specifications

Performance	
Long Term Drift	0.2% FS/YR (non-cumulative)
Accuracy	0.50%
Thermal Error	1% (Over Compensated Temperatures)
Compensated Temperatures	–4°F to +185°F (–20°C to +85°C)
Operating Temperatures	–40°F to +220°F (–40°C to +105°C)
Zero Tolerance	1.00%
Span Tolerance	1.00%
Response Time	1 ms
Fatigue Life	Designed for more than 100 M cycles
Mechanical Configuration	
Pressure Port	See under “How to Order,” last page
Wetted Parts	17-4 PH Stainless Steel
Housing	304 Stainless Steel
Electrical Connection	See under “How to Order,” last page
Enclosure	IP67
Vibration	40 G peak to peak sinusoidal, (Random Vibration: 20 to 1000 Hz @ approx. 40 G peak per MIL-STD-810E)
Shock	Withstands free fall to IEC 68-2-32 procedure 1
EMC (Radiated Immunity)	100 V/m
Approvals	CE, conforms to European Pressure Directive, Fully RoHS compliant, UL recognized files # E219842 & E174228
Weight	1.8–5.3 ounces (50–150 grams). Configuration dependent.
Voltage	
Output (3-wire)	0 V min. to 5 V max. See under “How to Order,” last page
Supply Voltage	2 Volts above full scale to 30 VDC max @ 4.5 mA
Source and Sinks	2 mA
Ratiometric	
Output	0.5 to 4.5 VDC @ 4 mA (6.5 mA on dual output version)
Supply Voltage	5 VDC ±10%

Integral Connectors

Deutsch DT04-4P



Deutsch DT04-3P



Packard Metri-Pack



Amp Superseal 1.5



DIN 9.4 mm

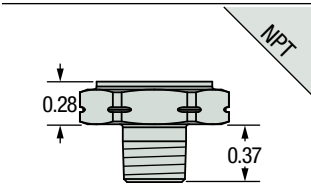
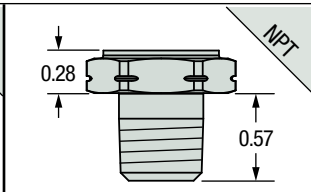
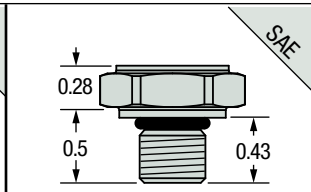
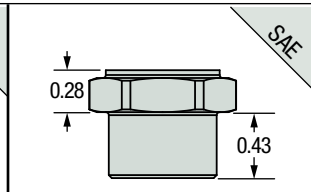
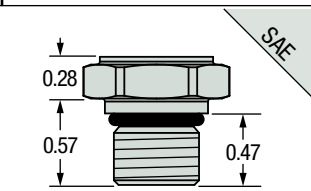
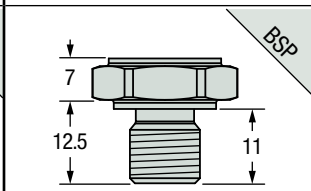
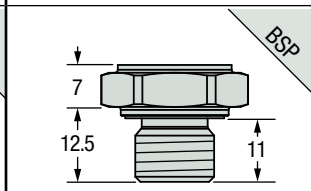
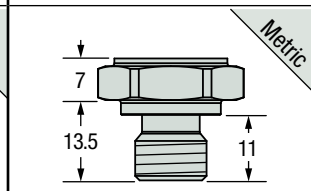


Pressure Capability

Pressure Range	Proof Pressure	Burst Pressure
150–300 psi (10–20 bar)	3.00 × Full Scale	40 × Full Scale
500–1,500 psi (40–100 bar)		20 × Full Scale
2,000–6,000 psi (160–400 bar)		10 × Full Scale
7,500–9,000 psi (600 bar)		
10,000 psi (700 bar)		6 × Full Scale

Pressure Ports

NPT and SAE Dimensions in Inches. Metric and BSP Dimensions in MM.

			
Fitting Code	08 = 1/8-27 NPT	02 = 1/4-18 NPT	1J = 7/16-20 UNF
Torque	2–3 TFFT*	2–3 TFFT*	18–20 NM
			
Fitting Code	1P = 9/16-18 “Heavy Duty”	01 = G 1/4 A	05 = G 1/4 A Integral Face-Seal
Torque	18–20 NM	30–35 NM	30–35 NM
			0L = M12 × 1.5
			28–30 NM

*NPT Threads 2–3 turns from finger tight. Wrench tighten 2–3 turns.

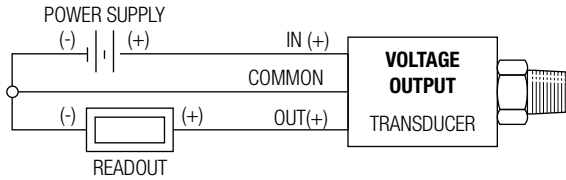
General Notes:

1. The diameter of all cans is 19 mm (0.748")
2. Hex is 22 mm (0.866") Across Flats (A/F) for deep socket mounting
3. O-Ring material, where applicable, is Viton® unless otherwise specified.

Integral Connector Versions

DIN 9.4 mm		Amp Superseal 1.5	Deutsch DT04-4P		Deutsch DT04-3P	Packard Metri-Pack
<p>Code B</p>		<p>Code 6</p>	<p>Code 8</p>		<p>Code Y</p>	<p>Code 9</p>
Pin #	Voltage Mode	Voltage Mode	Voltage Mode	Pin ID	Voltage Mode	Voltage Mode
1	V _{out}	V _{out}	0V	A	+IN	0V
2	+IN	0V	+IN	B	0V	+IN
3	PE	+IN	PE	C	V _{out}	V _{out}
4	0V	—	V _{out}	E	—	—

Wiring Diagram



Mating connectors available upon request. Please contact factory.

How to Order

Use the **bold** characters from the chart below to construct a product code

